

### ⚠ WARNINGS & DISCLAIMERS

By installing this product you acknowledge that the suspension of this vehicle has been modified. As a result, this vehicle may handle differently than that of factory-equipped vehicles. As with any vehicle, Extreme Care must be used to prevent loss of control or roll-over during sharp turns or abrupt maneuvers. Always wear seat belts, and drive safely, recognizing that reduced speeds and specialized driving techniques may be required. Failure to drive this vehicle safely may result in serious injury or death. Do not drive this vehicle unless you are familiar with its unique handling characteristics and are confident of your ability to maintain control under all driving conditions. Some modifications (and combinations of modifications) are not recommended and may not be permitted in your state. Consult your owner's manual, the instructions accompanying this product, and state laws before undertaking these modifications. You are responsible for the legality and safety of the vehicle you modify using these components. If using ReadyAIR products in conjunction with a 5th Wheel Hitch that requires replacement of any fasteners provided by the hitch manufacturer, consulting the hitch manufacturer must be done to determine if the fastener strength provided with ReadyAIR products is acceptable for safe operation of their product. If using tire snow chains or cables with ReadyAIR products, ensure that there is adequate clearance between the tire chain and air spring assembly to avoid damage and/or failure.

#### Limited Lifetime Warranty

ReadyAIR provides a limited lifetime warranty to the original purchaser of its load support products, that the product be free from defects in workmanship and materials when used on cars and trucks as specified by ReadyAIR and under normal operating conditions, subject to the requirements and exclusions set forth in the full Limited Warranty and Return Policy that is available at: [ReadyLIFT.com/ReadyAIR/warranty](http://ReadyLIFT.com/ReadyAIR/warranty).

#### READYGUARD Powertrain Warranty

ReadyLIFT is proud to offer its customers a FREE powertrain warranty. The most popular line of suspension products on the market just got better with the introduction of an unprecedented 5 year - 60,000 mile Powertrain Warranty. To register please visit: [ReadyLIFT.com/ready-guard](http://ReadyLIFT.com/ready-guard)

### IMPORTANT INFO!

#### ⚠ DO NOT OVERLOAD VEHICLE

This product does not increase your vehicle's maximum load capacity. Never exceed GVWR.

#### ⚠ DO NOT OVER INFLATE

Do not exceed 150psi in the air springs.

#### ⚠ DO NOT UNDER INFLATE

Maintain at least 10 psi in air springs when driving unloaded.

#### ⚠ ADDING AIR

When loaded, add air until stock ride height is achieved.

#### ⚠ CHECK TIRE CLEARANCE

Make sure that there is at least 1" clearance between the inside of tire and air spring assembly.

#### ⚠ AVOID AIR LINE DAMAGE

Do not route air lines near hot exhaust or sharp corners.

#### ⚠ CHECK YOUR HARDWARE

Retorque all fasteners after 500 miles.

### PARTS INCLUDED

QTY	DESCRIPTION
1	DRIVER SIDE AIR SPRING ASSEMBLY
1	PASSENGER SIDE AIR SPRING ASSEMBLY
1	HARDWARE KIT
1	MANUAL INFLATION KIT
HARDWARE KIT CONTENTS	
4	M16-2 X 50MM HEX HEAD BOLT GRADE 8.8
4	5/8"-11 2" CARRIAGE BOLT GRADE 5
4	NUT 5/8"-11 GRADE 5
4	5/8" FLAT WASHER
4	5/8" SPLIT LOCK WASHER
4	WIRE BOLT LEAD
4	RECTANGLE WASHER FOR CARRIAGE BOLT 5/8"
2	JOUNCE BUMPER SPACER W/ HW BAG
8	3/8-16 5" CARRIAGE BOLT GRADE A
24	3/8" FLAT WASHER
16	3/8"-16 NYLOCK NUT GRADE 5
4	LOWER FRAME HOOKS
4	AIR SPRING LOWER STRAP 3.5"
8	3/8"-16, 1.375" HEX HEAD BOLT GRADE 5
2	M12X1.75 100MM SOCKET HEAD CAP SCREW GRADE 12.9
2	M12X1.75 NUT GRADE 10
2	33110 CENTER PIN SPACER
8	AXLE U-BOLT SPACER M18
2	M12 LOCK WASHER
2	M12 WASHER

### TOOLS REQUIRED

13 MM SOCKET	JACK & JACK STANDS
9/16" DEEP SOCKET	NEEDLE NOSE PLIERS
15/16" WRENCH & SOCKET	TORQUE WRENCH
TORQUE ADAPTER WITH 15/16" CROWFOOT)	5/16" DRILL BIT & DRILL
27 MM SOCKET	AIR LINE CUTTER (RAZOR BLADE)
SOCKET DRIVER	MAGNETIC TOOL (OPTIONAL)
SAFETY GLASSES	C CLAMPS (OPTIONAL)

#### ⚠ ATTENTION!

If your ReadyAIR product has a damaged or missing part, please contact customer service directly and a new replacement part will be sent to you immediately. For warranty issues, please return to the place of installation and contact ReadyAIR.

### PARTS INCLUDED CONT'D

#### MANUAL INFLATION KIT CONTENTS

16	8" ZIP TIES
2	INFLATION VALVE TO 1/4" PTC FITTING
1	16' ROLL 1/4" AIRLINE

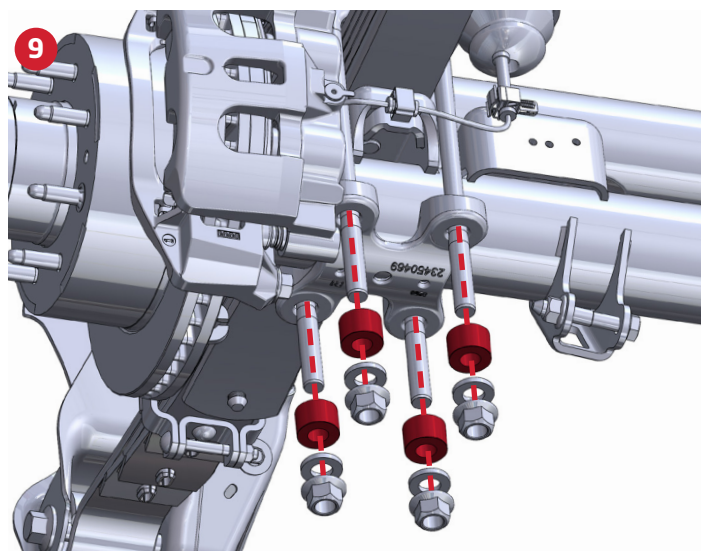
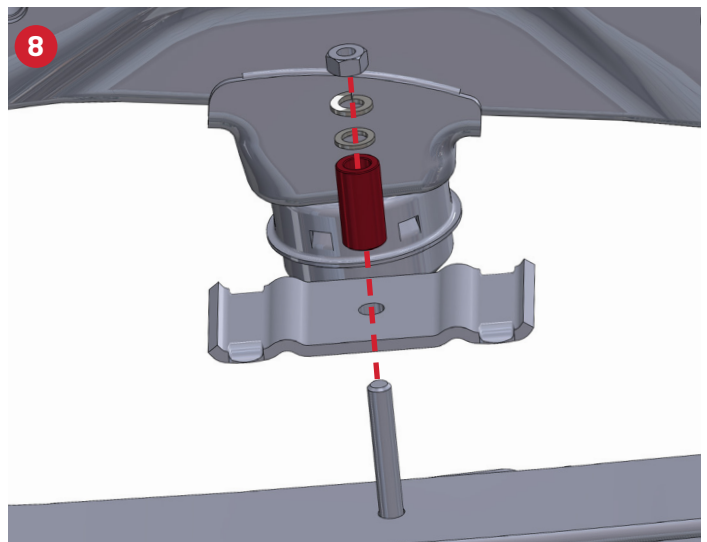
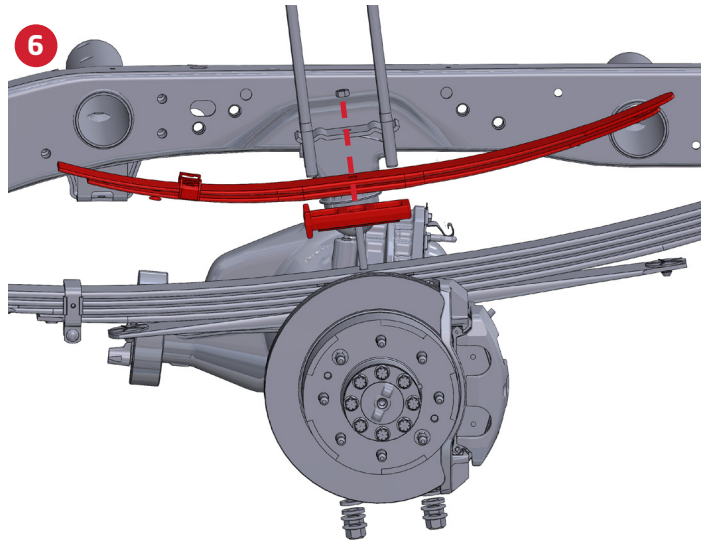
#### INSTALLATION PROCESS

<b>1</b>	Note original ride height measurement from center of rear fender arch to ground.
<b>2</b>	Safely lift the truck and support on jack stands.
<b>3</b>	Remove rear wheels.
<b>4</b>	Remove the factory overload springs one side at a time.
<b>5</b>	Spray factory center pin nuts and axle U-bolt nuts with penetrating oil.
<b>6</b>	Remove center pin nut and factory axle U-bolts. If factory center pin gets damaged during the removal process, refer to "ALTERNATE STEPS".
<b>7</b>	Remove overload spring and overload spacer block.
<b>8</b>	Reinstall the factory U-bolt saddle and install the <b>Center Pin Spacer</b> flat washer, split washer, and center pin nut. Torque the center pin nut to <b>35 lb.ft</b>
<b>9</b>	Reinstall factory U-bolts with <b>Axle U-bolt Spacers</b> between the axle and the factory U-bolt nuts. Torque the U-bolt nuts in a cross pattern according to the specifications shown in <b>TABLE 1</b> .

**TABLE 1 (U-BOLT TORQUE)**

#### GM 2500/3500 TORQUE TABLE (11-19)

STAGE 1	74 LB.FT (100 NM)
STAGE 2	LOOSEN 270 DEGREES
STAGE 3	74 LB.FT (100 NM)
STAGE 4	TIGHTEN 180 DEGREES



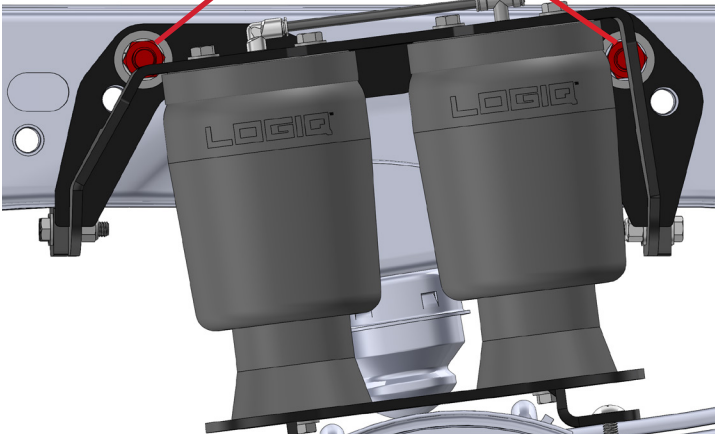
#### INSTALLATION PROCESS

**IMPORTANT:** Use the appropriate diagram for the specific model year range of truck to locate the proper bolt holes for air spring upper bracket installation (**2011-2015** or **2016-2019**).

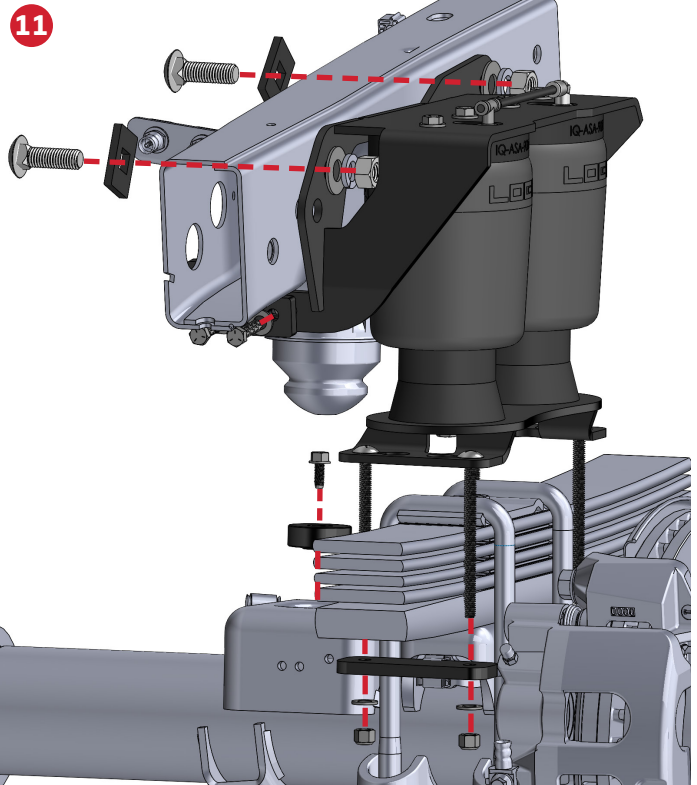
**10** **2011-2015 Trucks** - Using the two upper holes on the air spring bracket, install carriage bolts through carriage bolt plates and attach wire bolt lead to threads. Feed wire lead through the hole in the back of the frame to locate bolts into the proper position. \*See optional diagram if installing with an aftermarket 5th wheel hitch.

**11** Fit air spring assemblies to frame: Use caution when removing wire lead to avoid dropping bolts into the frame. Fasten using washers, lock washers, and nuts. Torque to **110 lb.ft** using a 15/16" crowfoot.

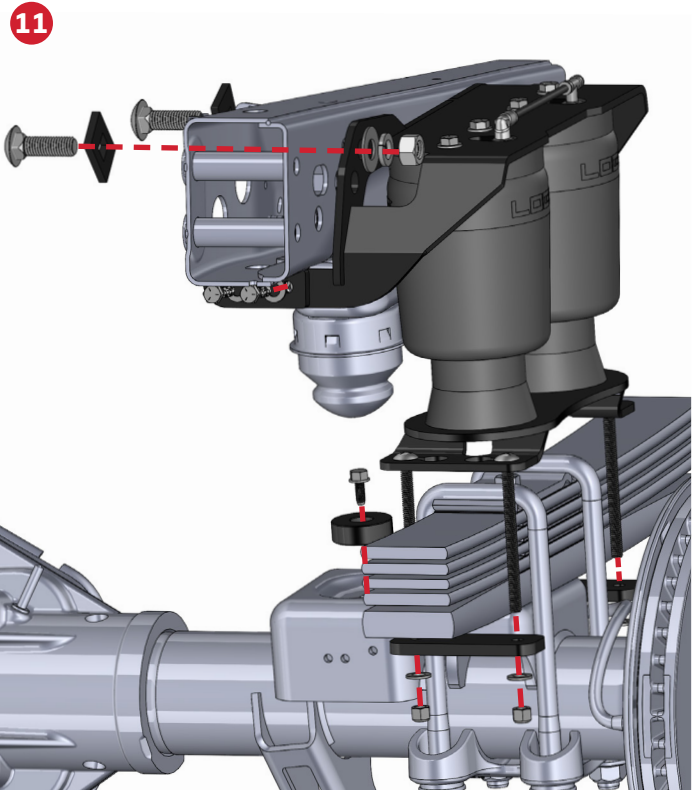
2011-2015



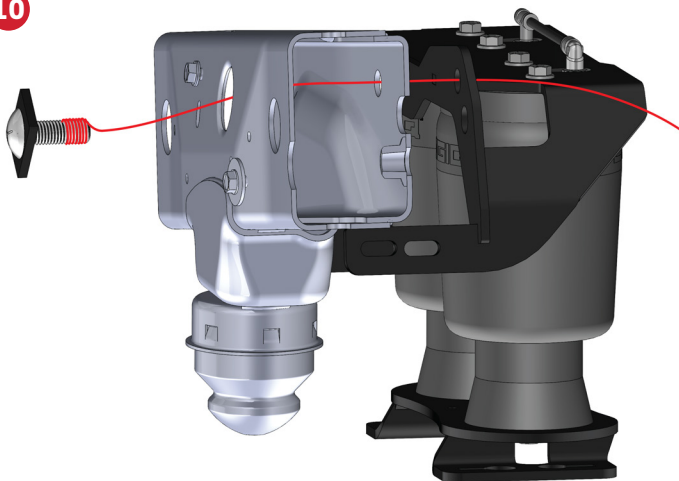
2011-2015 PASSENGER SIDE



2011-2015 DRIVER SIDE



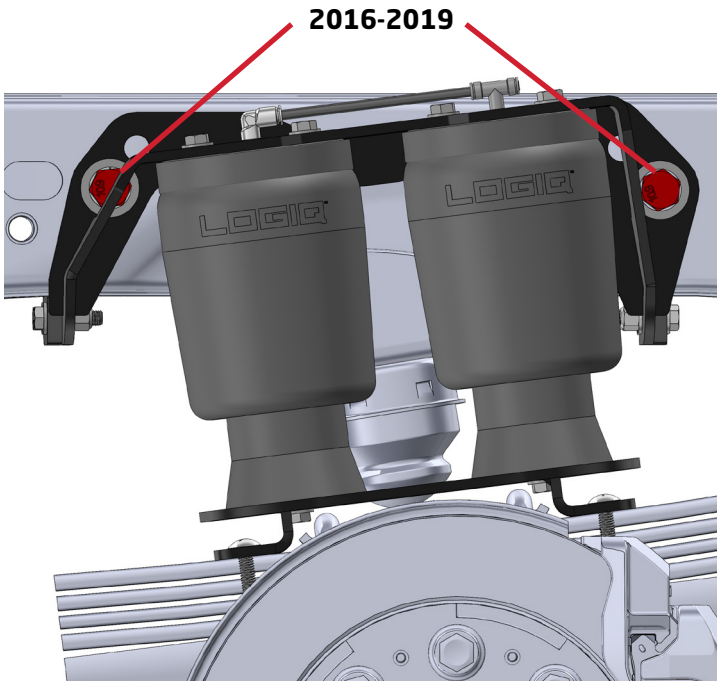
10



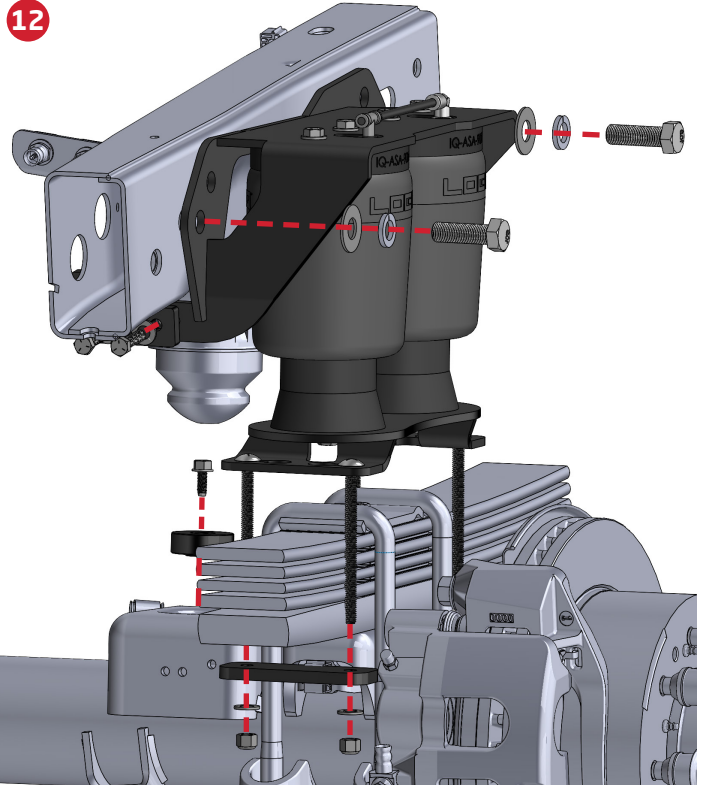
#### INSTALLATION PROCESS CONT'D

12

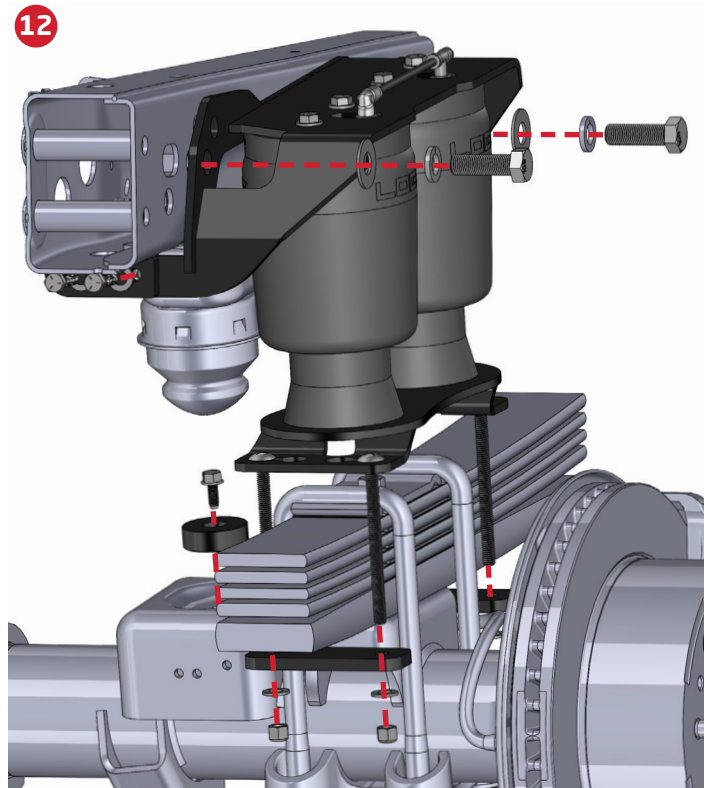
**2016-2019 Trucks** - Using the two lower holes on the air spring bracket, install washers, lock washers, and M16 bolts into the threaded weld nut on the frame. Torque to **110 lb.ft** using a 15/16" crowfoot. \*See optional diagram if installing with an aftermarket 5th wheel hitch.



#### 2016-2019 PASSENGER SIDE

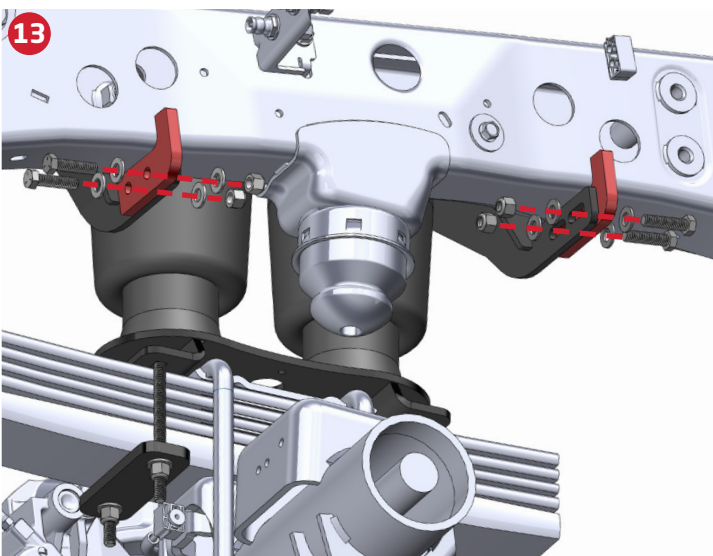
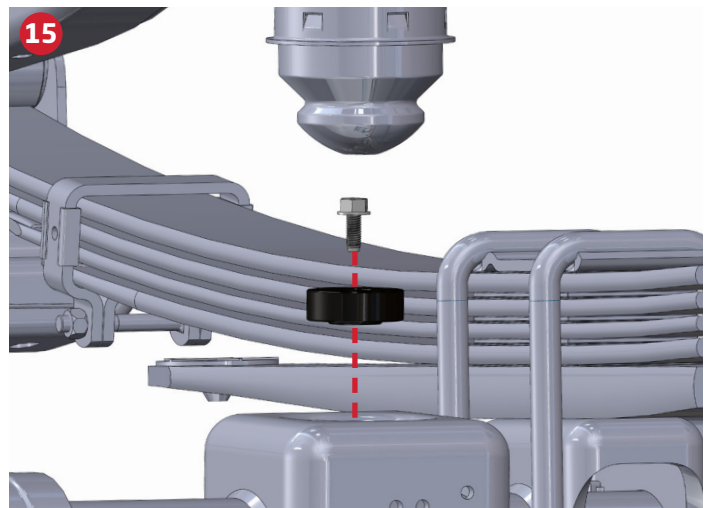
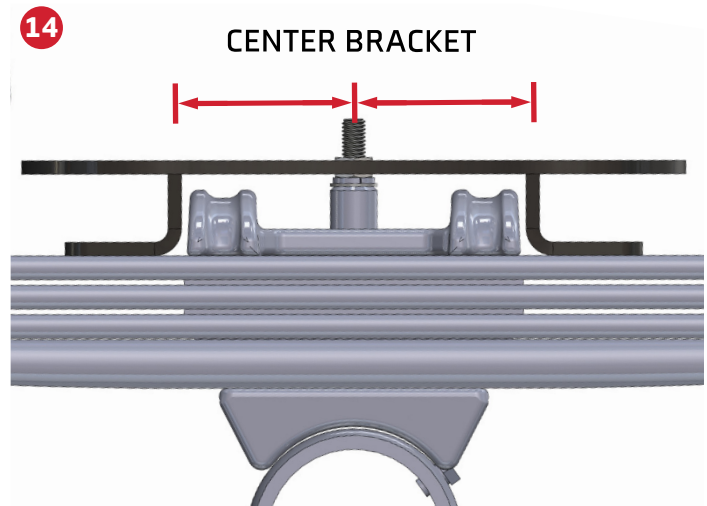
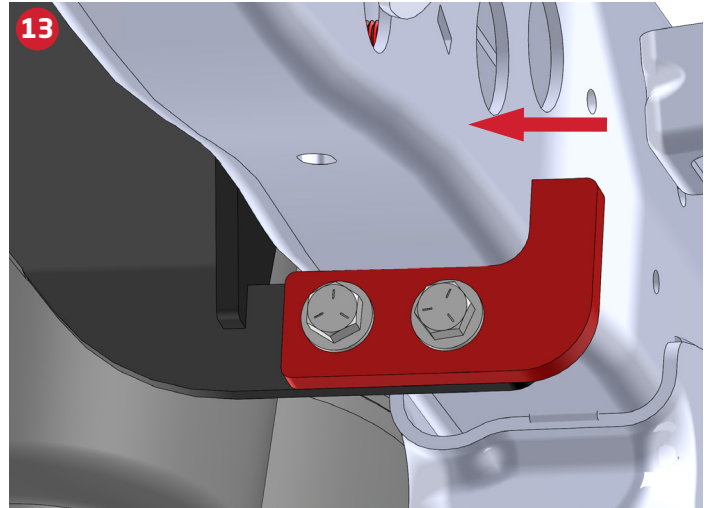


#### 2016-2019 DRIVER SIDE



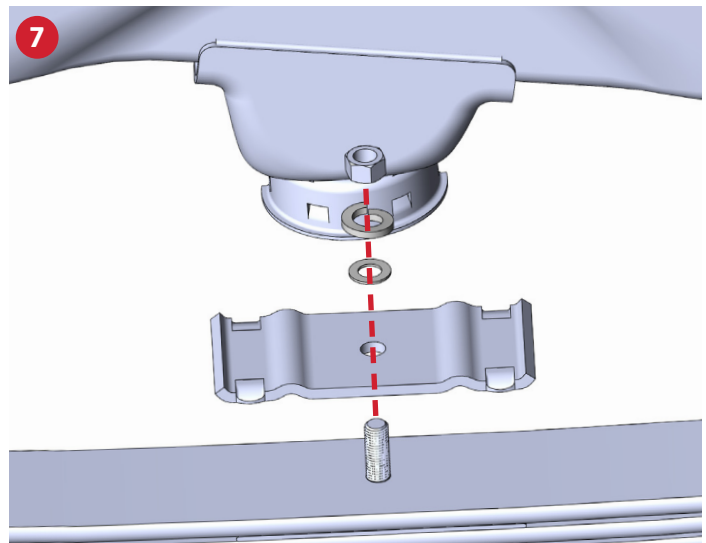
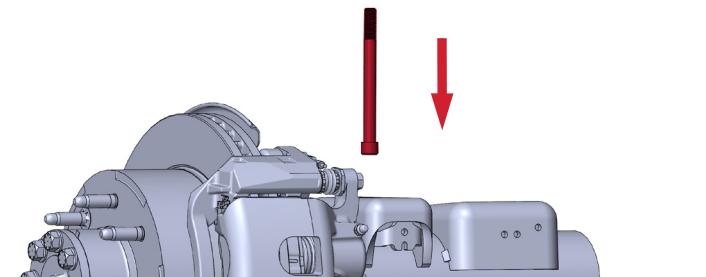
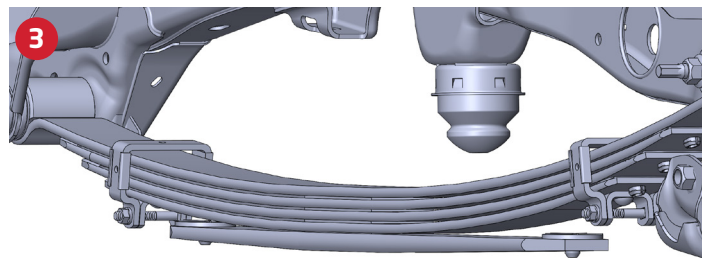
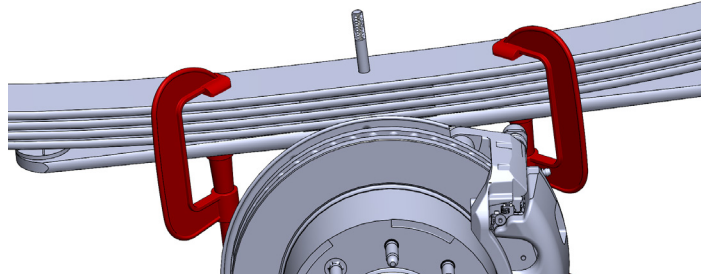
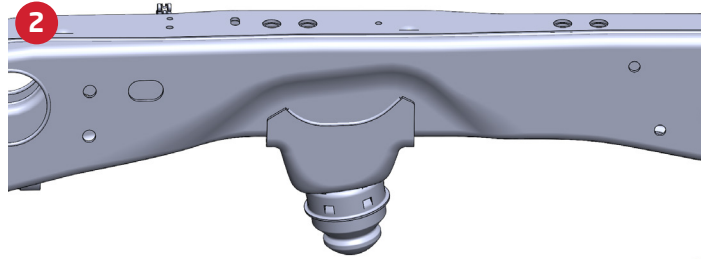
**INSTALLATION PROCESS CONT'D**

<b>13</b>	Install lower frame hooks as shown (hooks should be on the outside faces of the bracket). Snug the hardware and use a hammer to tap the hook tightly against the frame. If excess frame weld material interferes with hooks, grind welds flush to ensure proper fitment. Torque to <b>31 lb.ft.</b>
<b>14</b>	Apply downward force to extend the air springs, then mount the lower bracket to the leaf springs using the supplied washers and nuts. <b>Make sure that the lower bracket is centered over the U-bolt saddle.</b> Torque to <b>20 lb.ft.</b>
<b>15</b>	Install bump stop spacers onto the axle pad using the supplied thread forming bolts and red thread locker. Torque to <b>10 ft.lbs. DO NOT OVERTIGHTEN!</b>
<b>16</b>	<b>NOTE:</b> If ABS wire harness makes contact with air spring assembly, flip connector around 180 degrees to avoid interference.
<b>17</b>	Mount inflation valves at desired location using a 5/16" drill bit.
<b>18</b>	Route air line from each inflation valve to each air fitting tee on both of the air spring assemblies. <b>Avoid hot exhaust and sharp edges. Cut air line square and free from burrs with air line cutter or razor blade!</b>
<b>19</b>	Final Safety Checks: <ul style="list-style-type: none"> <li>• Check for leaks at fittings with soapy water</li> <li>• Check tire clearance to air spring (more than 1")</li> <li>• Verify all fasteners are torqued properly</li> <li>• Verify at least 10 psi in air springs before driving</li> </ul>



**ALTERNATE STEPS**

<b>1</b>	If your factory center pin was damaged, then you will replace it with the shorter replacement pins included.
<b>2</b>	Clamp the leafs together with C-clamps front and rear.
<b>3</b>	Raise the frame of the vehicle up until you have about 6 inches of working space between the bottom of the leaf pack and the top of the axle pad.
<b>4</b>	Remove the factory center pin from the leaf pack by driving it out from the top with a punch.
<b>5</b>	Install the new shorter leaf pack center pin.
<b>6</b>	Lower the frame so that the weight of the vehicle is sitting back on the axle. <b>Note: Make sure that the head of the center pin properly aligns with the hole in the axle pad.</b>
<b>7</b>	Reinstall the factory U-bolt saddle, flat washer, split washer, and center pin nut and torque to <b>35 lb.ft</b>
<b>8</b>	Return to INSTALLATION STEP 9



**OPTIONAL 5TH WHEEL HITCH DIAGRAM**  
(2016-2019 SHOWN)

