



INSTALLATION INSTRUCTIONS

300 W. Pontiac Way Clovis, CA 93612 toll free: 1-800-445-3767 web: www.belltech.com

5402 FRONT ANTI-SWAY BAR 2000-UP CHEVROLET SILVERALDO

Thank you for being selective enough to choose our high quality BELLTECH PRODUCT. We have spent many hours developing our line of products so that you will receive maximum performance with minimum difficulty during installation.

- Note:** Confirm that all of the hardware listed in the parts list is in the kit. **Do not** begin installation if any part is missing. Read the instructions thoroughly before beginning this installation.
- Warning:** **DO NOT** work under a vehicle supported by only a jack. Place support stands securely under the vehicle in the manufacturer's specified locations unless otherwise instructed.
- Warning:** **DO NOT** drive vehicle until all work has been completed and checked. Torque all hardware to values specified.
- Reminder:** Proper use of safety equipment and eye/face/hand protection is absolutely necessary when using these tools to perform procedures!
- Note:** It is very helpful to have an assistant available during installation.

RECOMMENDED TOOLS:

- Properly rated floor jack, support stands, and wheel chocks
- Combination wrench: 9/16"
- Torque wrench: 0-75 lb ft. range
- Ratcheting socket wrench and sockets: 10mm, 9/16"
- Safety Glasses

Note: It is very helpful to have an assistant available during installation.

SAFETY REMINDER: PROPER USE OF SAFETY EQUIPMENT AND EYE/FACE/HAND PROTECTION IS ABSOLUTELY NECESSARY WHEN USING THESE TOOLS TO PERFORM PROCEDURES!

KIT INSTALLATION

1. Open the hardware kit and remove all of the contents. Refer to the part list (Page 3) to verify that all parts are present.
2. Park the vehicle on a smooth, level concrete or seasoned asphalt surface and activate the parking brake. Block the REAR wheels of the vehicle with appropriate wheel chocks; making sure the vehicle's transmission is in 1st gear (manual) or "Park" (automatic).
3. Using a properly rated floor jack, lift the FRONT wheels of the vehicle off the ground. Place support stands, rated for the vehicle's weight, in the factory specified locations. Refer to the vehicle Owner's Manual. Prior to lowering the vehicle onto the stands, make sure the supports will securely contact the chassis.

It is very important that the vehicle is properly supported during this installation to prevent personal injury and chassis damage! Make sure that the supports stands are properly placed prior to performing the following procedures. We **DO NOT RECOMMEND** using wheel ramps while performing this installation.

4. Slowly lower the vehicle onto the stands and, before placing the vehicle's entire weight on them, again check that they properly and securely contact the chassis as described above. Check for possible

interference with any lines, wires, cables, or other easily damaged components. Remove the front wheels.

5. Remove the original front Anti-Sway Bar from the vehicle. This requires 10mm and 15mm wrenches for the pivot bushing bracket and end-link hardware, respectively.
6. The new Belltech Anti-Sway Bar will utilize the original pivot bushing brackets and hardware. Thoroughly clean the mounting areas and hardware.
7. Thoroughly lubricate the **inside** of the new polyurethane bushings using the grease provided (Photo 2). Locate the bushings on the Belltech Anti-Sway Bar so that they will align with the factory mounting locations with the bar centered on the chassis; use the factory ASB as reference. Once located, rotate the bushings slightly too evenly spread the lubricant (Photo 3). Place the original pivot bushing brackets onto the new bushings.

WD-40™ is recommended to help remove excess lubricant. Re-greasing the pivot bushings should be performed at regular intervals. Climate and driving conditions will govern the time between services. Remember to check all hardware while performing bushing maintenance.

8. Install the Anti-Sway Bar onto the chassis in the reverse order of removal. Align the slotted holes in brackets with their original mounting holes. Loosely thread the original hardware into place (Photo 4) making sure to orient it properly (top to bottom).

The Bar should be installed so that the ends pass ABOVE the steering tie-rods (Photo 5). Shift the bar side-to-side and front-to-back to center on chassis. Be cautious not to damage brake lines while installing the Anti-Sway Bar.

9. Using a 10mm socket, tighten and torque the bracket hardware to 19 lb ft. A shallow socket may be required to access the bolts towards the front of the vehicle (Photo 7).

All hardware being fastened to the vehicle's original fastening points should be torqued to the proper specifications. To prevent chassis damage, never over-torque the hardware.

10. Install the new end-links in the same orientation as the original (Photo 8). Install the bolts with washers from below so that the heads face down and the lock nuts will be located at the top. Thread the lock nuts on by hand. Use the 9/16" wrench and 9/16" socket to tighten the end-link hardware. Tighten only until the urethane end-link grommets just begin to bulge.
11. Check that all components and fasteners have been properly installed, tightened and torqued.
12. Re-install the front wheels. Tighten and torque the lug nuts to the Manufacturer's specifications.
13. Check brake hoses, steering and other components for any possible interference.
14. Lift the vehicle and remove the support stands. Carefully lower the vehicle to the ground.
15. Immediately test-drive the vehicle in a remote location so that you can become accustomed to the revised driving characteristics and handling. Be aware that the vehicle will handle substantially different now that it has been modified.

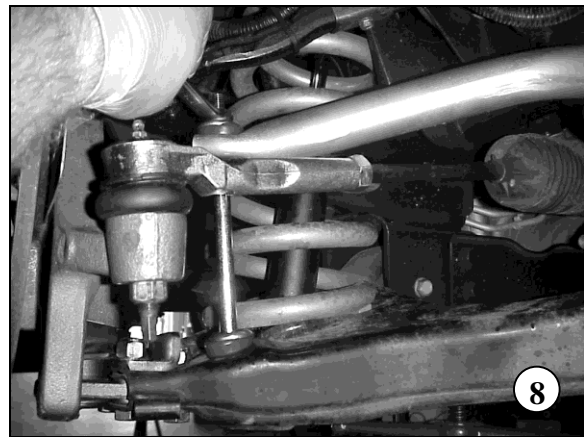
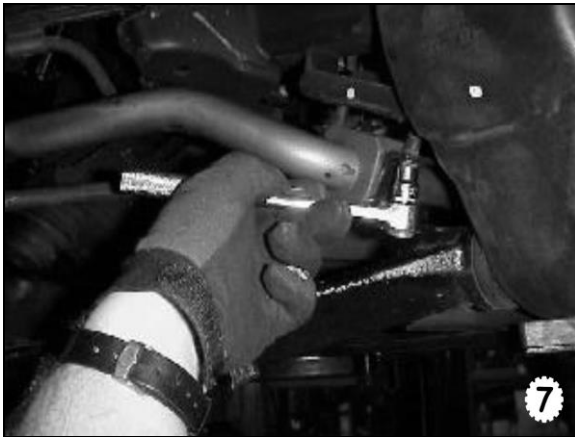
Installation is complete. Check all of the hardware and re-torque at intervals for the first 10, 100, 1000 miles.

! We highly recommend installing the appropriate matching Belltech rear Anti-Sway Bar to maintain proper handling characteristics and performance. See the current Belltech Application Guide or contact your nearest Belltech Dealer for the appropriate part number for your application.

PART LIST FOR 5402 FRONT ANTI-SWAY BAR KIT

PART#	DESCRIPTION	QTY
5402-300	Front Anti-sway Bar	1
113245	Urethane Pivot Bushing	2
7000-886	End-link Grommet 5/8"	8
112438	3/8" X 4 1/2" Spacer Tube	2
112502	Cup Washer	8
112146	3/8"- 16 X 8 1/2" Hex Head Cap Screw	2
110255	3/8"- 16 Lock Nut	2
55000-10	Grease Pack	1

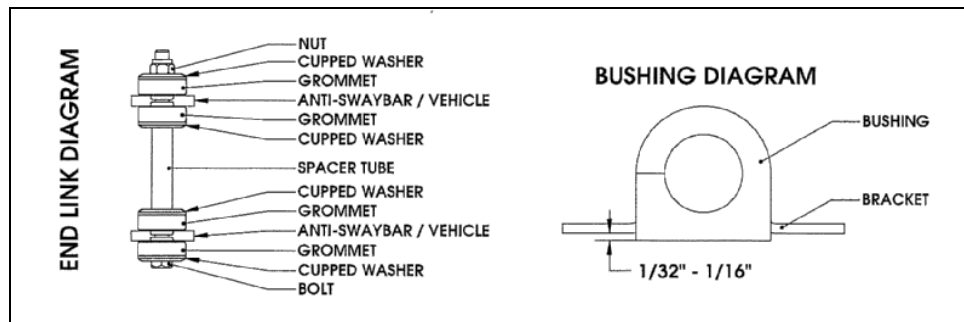




! BELLTECH INSTALLATION TIPS

LUBRICATION

Pre-lubricating the inside of the bushing before it's installed is important because the lubrication will greatly reduce noise and it will increase bushing life. Belltech recommends you use Molybdenum disulfide. This will help protect the inside surface of the bushing and will last longer than most types of grease. Thoroughly lubricate the inside of the bushing with this grease.



BUSHING INSTALLATION

Make sure an amount of 1/32" to 1/16" of the bushing is showing when you install it onto the bracket. See the diagram above. If the bushing is showing more than 1/16" than use a sander or a sheet of coarse grit sand paper to shave it down to the proper height. In most applications when installing the new bushings on your Belltech Anti-Sway Bar you may refer to your original equipment Anti-Sway Bar to locate the proper location.

END LINK INSTALLATION

It is not required that you use lubricant on the end links since there is not any rotational movement. The Belltech end links are comprise of grommets, cupped washers, a spacer tube, bolt, and lock nut, these assembled components create the end link. See END LINK DIAGRAM above.

AXLE CLAMP DIAGRAM

