



INSTALLATION INSTRUCTIONS

300 W. Pontiac Way Clovis, CA 93612 toll free: 1-800-445-3767 web: www.belltech.com

4955 FRONT CAMBER BUSHINGS GMC 2WD/4WD

Thank you for being selective enough to choose our high quality BELLTECH PRODUCT. We have spent many hours developing our line of products so that you will receive maximum performance with minimum difficulty during installation.

- Note: Confirm that all of the hardware listed in the parts list is in the kit. **Do not** begin installation if any part is missing. Read the instructions thoroughly before beginning this installation.
- Warning:** **DO NOT** work under a vehicle supported by only a jack. Place support stands securely under the vehicle in the manufacturer's specified locations unless otherwise instructed.
- Warning:** **DO NOT** drive vehicle until all work has been completed and checked. Torque all hardware to values specified.
- Warning:** This install **requires specialty tools** and should be taken to an alignment shop for proper installation
- Reminder: Proper use of safety equipment and eye/face/hand protection is absolutely necessary when using these tools to perform procedures!
- Note: It is very helpful to have an assistant available during installation.

RECOMMENDED TOOLS:

- Properly rated floor jack, support stands, and wheel chocks
- Combination wrench set
- Torque wrench: *0-300 lb ft. range*
- Ratcheting socket wrench and sockets sets
- Safety Glasses
- Bushing press with GM bushing adapters.

KIT INSTALLATION

1. Open the hardware kit and remove all of the contents. Refer to the part list ([Page 3](#)) to verify that all parts are present.
2. Park the vehicle on a smooth, level concrete or seasoned asphalt surface and activate the parking brake. Block the REAR wheels of the vehicle with appropriate wheel chocks; making sure the vehicle's transmission is in 1st gear (manual) or "Park" (automatic). Using a properly rated floor jack, lift the front wheels of the vehicle off the ground. Place support stands, rated for the vehicle's weight, in the factory specified locations. Refer to the vehicle Owner's Manual. Prior to lowering the vehicle onto the stands, make sure the supports will securely contact the chassis.

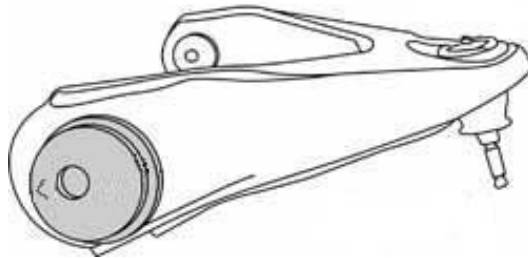
! It is very important that the vehicle is properly supported during this installation to prevent personal injury and chassis damage! Make sure that the support stands are properly placed prior to performing the following procedures. We **DO NOT RECOMMEND** using wheel ramps while performing this installation. Slowly lower the vehicle onto the stands and, before placing the vehicles entire weight on them, again check that they properly and securely contact the chassis as described above. Check for possible interference with any lines, wires, cables, or other easily damaged components.

1. STEERING KNUCKLE REMOVAL

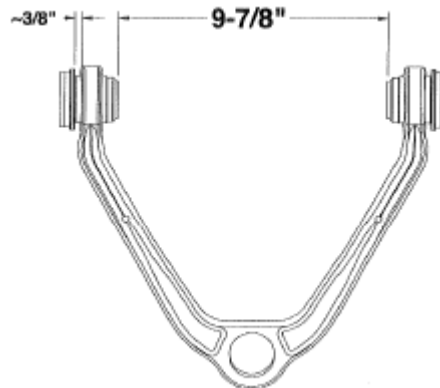
- a) Remove wheel assembly.
- b) Remove upper control arm from vehicle using manufacture's recommended procedure. Follow all safety precautions.

The follow steps require special bushing press equipment and should only be performed by a professional with such equipment.

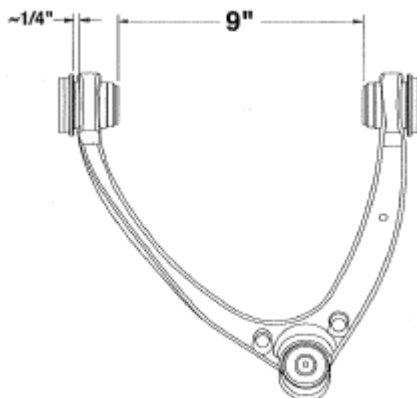
- c) With upper control properly supported in a vise, push the OEM bushings out with the proper tools.
- d) Install the new Belltech bushings into the upper control arm where the OEM bushings were removed with arrow reference notches pointing away from the ball joint in line with the control arm. Failure to follow this may result in poor handling and premature bushing wear.



- e) For **1999-2006** vehicles the distance between the two inner faces of the bushings should be 9 7/8". Make sure the bushings are centered in the arm.



- f) For **2007 up** vehicles the distance between the two inner faces of the bushings should be 9. Make sure the bushings are centered in the arm.



- g)** Reinstall upper control arm using manufacturer's recommended procedure.
- h)** Reinstall wheel assembly and torque wheel lugs to manufacturer's recommended specifications.
- i)** Reset vehicle alignment to manufacturer's recommended specifications.
- j)** Road test vehicle.

PART LIST FOR 4955 FRONT CAMBER BUSHINGS

PART#	DESCRIPTION	QTY
4955-001	FRONT CAMBER BUSHINGS	4