



INSTALLATION INSTRUCTIONS

300 W. Pontiac Way Clovis, CA. 93612 local: 559-875-0222 fax: 559-876-2259
toll free: 800-445-3767

3927

2001-2010 Chevy 1500HD /2500HD / 3500HD 2WD / 4WD

Thank You for selecting a BELLTECH PRODUCT. We have spent many hours developing our line of products so that you will receive maximum performance with minimum difficulty during installation.

- Note:** Confirm that all hardware listed in the parts list is in the kit. **Do not** begin installation if any part is missing. Read the instructions thoroughly before beginning this installation.
- Warning:** **DO NOT** work under a vehicle supported by only a jack. Place support stands securely under the vehicle in the manufacturer's specified locations unless otherwise instructed.
- Warning:** **DO NOT** drive vehicle until all work has been completed and checked. Torque all hardware to values specified.
- Warning:** Be aware that the vehicle can handle substantially different than the Manufacturers Original Design now that it has been modified.
- Reminder:** Proper use of safety equipment and eye/face/hand protection is necessary when using the recommended tools to perform procedures!
- Note:** It is very helpful to have an assistant available during installation.

RECOMMENDED TOOLS:

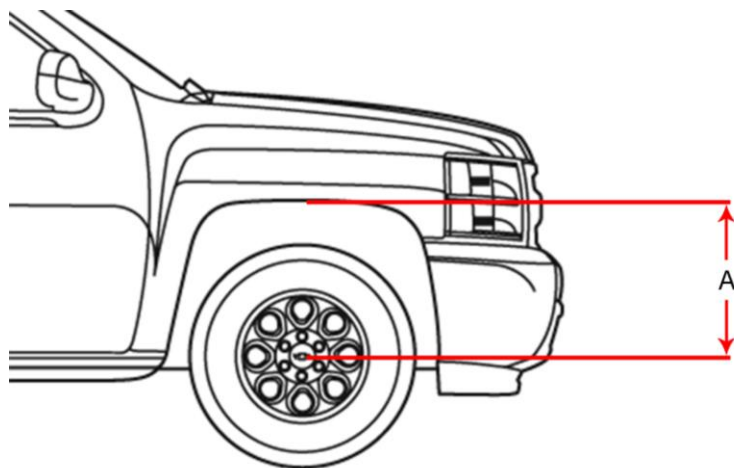
- Properly rated floor jack, support stands, and wheel chocks
- Combination wrench set
- Ratcheting socket wrench and socket set
- Safety Glasses
- Torque wrench

PREPARING FOR INSTALLATION:

- Open the hardware kit and remove contents. Refer to the part list to verify parts are present
- Park the vehicle on a smooth, level hard surface such as concrete and activate the parking brake.
- Block the REAR wheels of the vehicle with appropriate wheel chocks; making sure the vehicle's transmission is in 1st gear (manual) or "Park" (automatic).

VEHICLE HEIGHT:

Measure the current vehicle height NOW using the “Wheel Center to Fender” method shown in Diagram below and record the numbers in the space below:



Driver Side: _____“

Passenger Side: _____“

JACKING AND SUPPORTING VEHICLE

- Using a correctly weight rated floor jack for your application, lift the FRONT wheels of the vehicle off the ground. Place support stands correctly rated for the vehicle’s weight in the factory specified locations. Refer to the vehicle Owner’s Manual. Prior to lowering the vehicle onto the stands, make sure the supports will securely contact the chassis
- Slowly lower the vehicle onto the stands and, before placing the vehicle’s entire weight on them, again check that they are correctly and securely contact the chassis as described above. Check for possible interference with any lines, wires, cables, or other easily damaged components.
- It is very important that the vehicle is properly supported during this installation to prevent personal injury and chassis damage! Make sure that the supports stands are correctly and securely placed prior to performing the following procedures.

KIT INSTALLATION

- Locate and remove torsion bar adjusting Bolt. Install torsion bar loading tool and tighten the key so that you can
- Remove the torsion key adjusting block from the cross member.

KIT INSTALLATION CONTINUED

- Now loosen the torsion key by unloading the torsion key tool. Note the position of the key, and by sliding the torsion bar towards the front of the vehicle you can remove the torsion Key.
- Repeat for the other side of the vehicle
- Install the new Belltech torsion key in the same position as the one you removed, slide the torsion bar back into place reinstall the torsion key tool and tighten enough to insert the adjusting block.
- Now install the adjusting block making adjusting bolt flush with the cross member.
- Now Replace the factory front lower shock mount with the Street Edge shock extension using the factory
- Hardware.

- All hardware being fastened to the vehicle's original fastening points should be torqued to the proper specifications. To prevent chassis damage, never over-torque the hardware.
- Check that all components and fasteners have been properly installed, tightened and torqued.
- Once vehicle is on ground check the height of the front, side to side.
- Initial height can now be set.
- Installation is complete. Check all of the hardware and re-torque at intervals for the first 10, 100, 1000 miles.
- After installing the new components, a wheel alignment should be performed according to manufacturer's specifications.

PARTS LIST FOR 3927 KIT

| PART No. | DESCRIPTION | QTY. |
|-----------------|--------------------|-------------|
| 3927 | Torsion Kit | 2 |
| 3927 01 | Shock Extension | 2 |