



# INSTALLATION GUIDE

**PART NUMBER: 28026**  
**FRONT LIFTING STRUT**  
**FORD BRONCO 4WD | 2021+**

4" TO 7.5" HEIGHT ADJUSTABLE

**This strut was designed to be used with Belltech lift kit number 152600. It cannot be used alone to achieve a 4" to 7.5" lift. It may be used on a vehicle that has been lifted 4" to 7.5" using another brand. Belltech has not tested cross-compatibility with any other brands and cannot guarantee results when used with another brands products.**

**300 W. PONTIAC WAY. CLOVIS, CA 93612**  
**PHONE: 800-445-3767 | EMAIL: INFO@BELLTECH.COM**

# THANK YOU

Thank you for choosing our high quality Belltech product. We have spent a great deal of time developing our line of products so that you will receive maximum performance with minimal difficulty during installation. Soon your vehicle will be on the road looking and feeling much improved.

**Please take a moment to read all instructions and warnings prior to the installation of your new Belltech product and before operating your vehicle. If you have any questions or concerns regarding any step in the installation process, please do not hesitate to call or email our customer support specialists who are trained to help you through any portion of this process.**

## Before You Begin:

**It is of the utmost importance that you confirm all of the components listed on the parts list is in the kit. You can find this list located on the last page(s) of your instructions. Do not begin installation if any part is missing. Instead, please call our Belltech customer service specialists.**

### Belltech Customer Support:

Phone: 1-800-445-3767

Email: [info@belltech.com](mailto:info@belltech.com)

## Safety Information:

**Warning:** Do not work under a vehicle supported only by a jack. Place support stands securely under the vehicle in the manufacturer's specified locations unless otherwise instructed.

Proper use of safety equipment and eye/face/hand protection is absolutely necessary when performing any of the following instructions.

We strive for an exceptional experience for all our valued customers. If for any reason you need assistance with your Belltech products, please do not return the product to the store you purchased from, but rather call our dedicated customer service experts, from 7am to 5pm PST.

We recommend that a qualified mechanic, at a properly equipped facility, perform this installation.

It is very helpful to have an assistant available during installation.

## Before Driving Your Vehicle:

It is important to double check all brake hoses, cables, and other components to be sure there is no interference. You must also check for wheel/tire to chassis/body interference. If any issues are found, review your installation instructions to be sure no steps were missed and any problems are corrected.

Make sure your vehicle is aligned immediately following installation.

Check all hardware and torque at intervals for the first 10, 100, and 1000 miles.

Some of Belltech's products are designed to improve your vehicle's off-road performance. Leveling/lifting your vehicle may result in an altered center of gravity. It is crucial to use extreme care when operating your vehicle to prevent rollover and/or loss of control.

Any changes in your vehicle's suspension may result in transformed handleability. Please test-drive your vehicle in a remote location so you can become accustomed to the revised driving characteristics.

Perform headlight check and adjustment.

Failure to drive any modified vehicle in a safe manner may result in harm or death.

Never operate your modified vehicle under the influence of drugs, alcohol, or lack of adequate sleep.

Always wear your seatbelt.



**DIFFICULTY:**



**INSTALLATION TIME:**

2-4 Hours + Alignment

## RECOMMENDED TOOLS:

- Properly rated floor jack
- Support stands
- Wheel chocks
- Metric socket wrench set
- Metric wrench set
- Tape measure
- Ball peen hammer
- Center punch

## SPECIALTY TOOLS:

- Torque wrench up to 350 ft lbs.
- Professional spring compressor
- Ball joint separator



## FITMENT GUIDE

### All 4.5" lifts:

18x9 w/ 5-1/2" BS—35x12.50

20x9 w/ 5-1/2" - 6-1/4" BS—35x15.50

### All 7" Lifts:

18x9 w/ 5-1/2" BS—35x12.50

20x9 w/ 5-1/2" BS—35x12.50

20x9 w/ 6-1/2" BS—37x12.50

**Not all possible wheel sizes and backspacing are tested. Cautiously check the wheel assembly to spindle, suspension component, and fender/body clearance before tightening the lug nuts and rotating the wheel assembly. Belltech is not responsible for any wheel, tire, suspension component, and/or body damage caused by failure to check for interference.**

## INSTALLATION PREPARATION:

Before beginning the installation process, measure the hub to fender heights for your vehicle and record them in the "Before" section. After your vehicle has been modified, record the new measurements in the, "After" section. This way, you can compare the resulting height to the original. When taking the measurements, measure vertically from the center of the wheel to the inner edge of the fender.

**Before:**

LF: \_\_\_\_\_

RF: \_\_\_\_\_

LR: \_\_\_\_\_

RR: \_\_\_\_\_



**After:**

LF: \_\_\_\_\_

RF: \_\_\_\_\_

LR: \_\_\_\_\_

RR: \_\_\_\_\_

# JACKING, SUPPORTING, AND PREPARING THE VEHICLE

1. Park your vehicle on a smooth, level, concrete or seasoned asphalt surface.
2. Block the rear wheels of the vehicle using wheel chocks. Make sure the vehicle's transmission is in "PARK" (automatic) or 1st gear (manual).
3. Activate the parking brake.
4. Break loose, but do not spin the wheel lug nuts to ease in removal when the wheels are in the air.
5. Lift the front of the vehicle off the ground using a properly rated floor jack. Lift the vehicle so the front tires are approximately 6-8 inches off the ground.
6. Place support stands rated for the vehicles weight. The stands should be positioned in the factory specified locations. (Refer to the owners manual). Prior to lowering the vehicle onto stands, make sure the support stands will contact the chassis. It is very important that the vehicle is properly supported to prevent any harm to ones self or to the vehicle.
7. Lower the vehicle slowly onto the stands.
8. Remove the front wheels.



## Technician reminder:

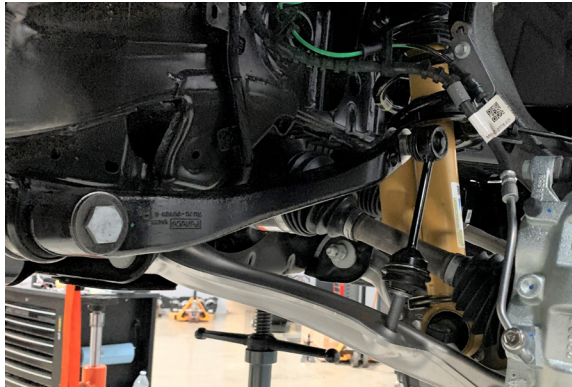
Never work under a vehicle supported only by a jack. It is necessary to place support stands securely under the vehicle in the manufacturer's specified locations unless otherwise instructed.

## FRONT STRUT REMOVAL

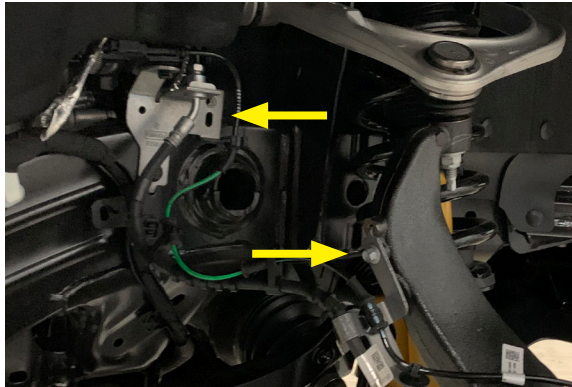
9. Before removing any component, use a marking pen mark the alignment cams to reference the original placement later.



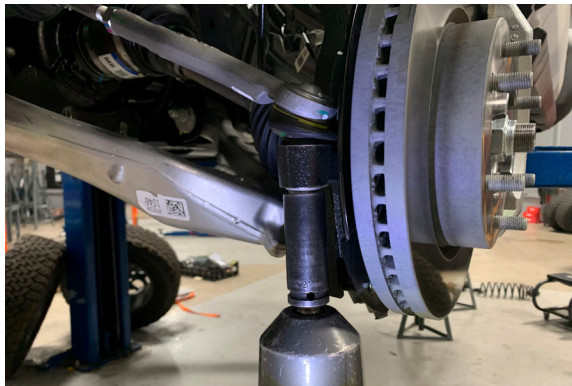
10. Remove the two lower strut 18mm nuts and lower end link 21mm nut on the control arm. If the end link ball joint turns, use a hex key to prevent the stud from turning while removing the nuts.



10. Using a 10mm wrench, detach the front ABS and brake line bracket from the spindle and remove the bracket from the chassis. Also remove the 8mm bolt to detach the wheel speed sensor from the spindle. Secure the wire assembly away from the working space.

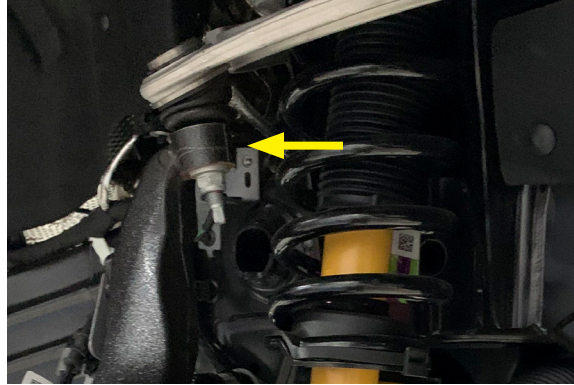


11. Remove the steering tie rod end nut with a 21mm socket from the spindle. Use a tie rod end remover to carefully detach the tie rod end from the spindle. Alternatively you can strike the spindle with a hammer to remove the tie rod end. Do not hit the boot.



## FRONT STRUT REMOVAL CONTINUED

12. Remove the upper ball joint nut with a 21mm wrench. Use a ball joint separator tool to detach the ball joint from the spindle. Let the spindle rest away from the working area. Alternatively with a hammer, you can strike the ball joint boss on the spindle to remove the ball joint.



13. With a 36mm socket, remove the CV axle nut. Ensure the axle is dislodged from the spindle by striking the center of the axle with a punch and hammer. Ensure the threads are not damaged in the process.



### Technician reminder:

Be sure to support the lower control arm and spindle assembly to prevent overextending the CV axle shaft or causing other damage.



14. With a 15mm wrench, remove the three top mount nuts holding the strut to the chassis. Lower the control arm assembly to gain clearance for the strut to be removed from the vehicle.



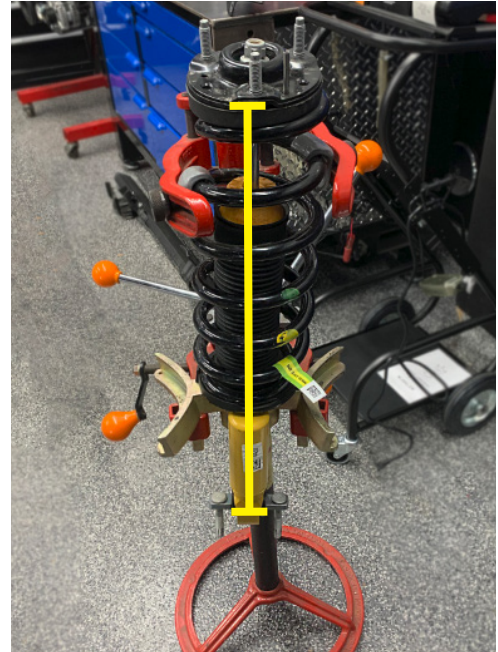
# FRONT STRUT DISASSEMBLY

- Using a proper spring compressor, mount the strut assembly and ensure it is secured before proceeding. To ease the installation of the new strut, mark the position of the top mount in relationship to the upper spring isolator and strut body. Compress the spring until tension is relieved from the strut.

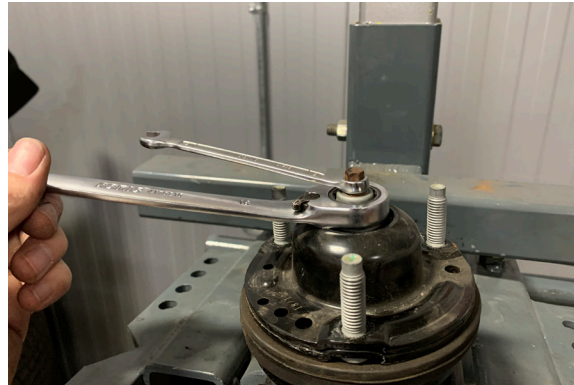


## Technician note:

The coil spring is held in place under extreme compression. **Belltech** recommends the use of a heavy-duty spring compressor suitable for truck springs to perform the following steps. If unsure of your spring compressor capabilities, please take your struts to a professional installer. Use caution during the following steps to avoid personal injury and/or damage to the vehicle.



- Support the strut to prevent it from falling from the fixture as you remove top mount and the strut.



- Detach the upper spring isolator from the top mount. If needed, use a pry tool or flathead screwdriver.



- Use a hammer to remove the dust cap off of the OEM strut.
- Note the orientation of the spring perch and remove it. The original spring perch will be used with the new Belltech strut in the same orientation as the OEM strut.

# BELLTECH STRUT HEIGHT SETUP AND ASSEMBLY

20. The strut is delivered as shown below. Remove the Nyloc nut from the top of the Belltech strut to proceed



## Technician note:

When lifting your vehicle more than 1", OE camber may not be achievable. Ensure proper toe alignment to minimize tire wear.

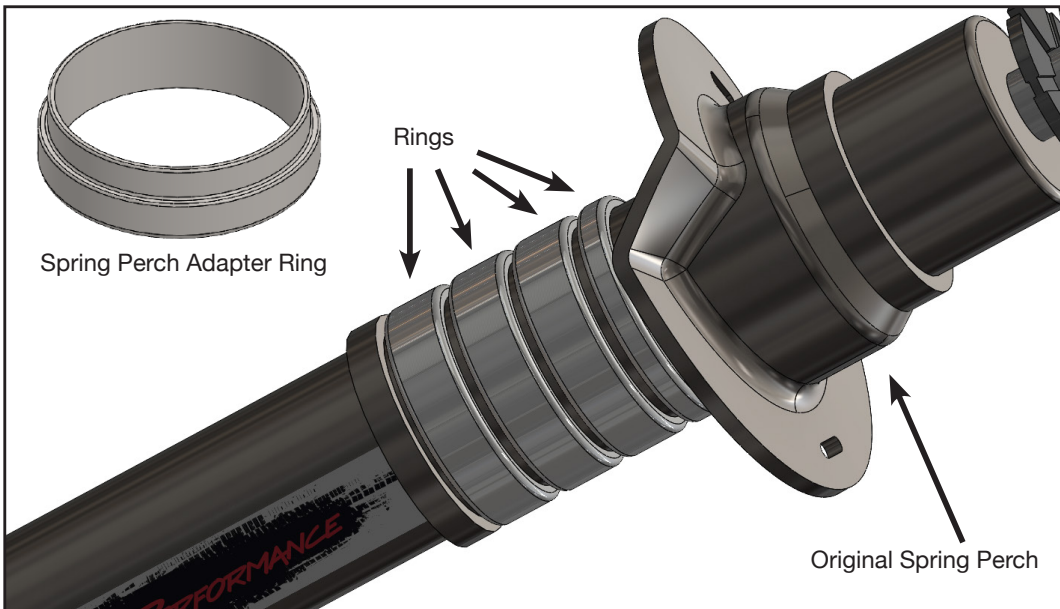
21. Using the tables below as reference, slide the required rings onto the strut. Please pay special attention to the original struts. One table is made for the yellow Bilstein struts (excluding Sasquatch) and the other is for the OEM FoMoCo struts.

2021+ Ford Bronco 4WD (Bilstein struts, excluding Sasquatch)				
Lift (Inches)	Adapter Ring	8mm Ring	10mm Ring	15mm Ring
4"	1	0	0	2
5"	1	1	1	2
6"	1	2	2	2
7"	1	3	3	2
7.5"	1	4	3	2

2021+ Ford Bronco 4WD (Black FoMoCo struts)				
Lift (Inches)	Adapter Ring	8mm Ring	10mm Ring	15mm Ring
5"	1	0	0	0
6"	1	1	1	0
7"	1	2	2	0
7.5"	1	3	3	0

22. Slide the perch adapter ring onto the strut with the narrow portion facing upward.

23. Place OE spring perch and lower spring isolator onto the adapter ring.





# BELLTECH STRUT HEIGHT SETUP AND ASSEMBLY CONTINUED

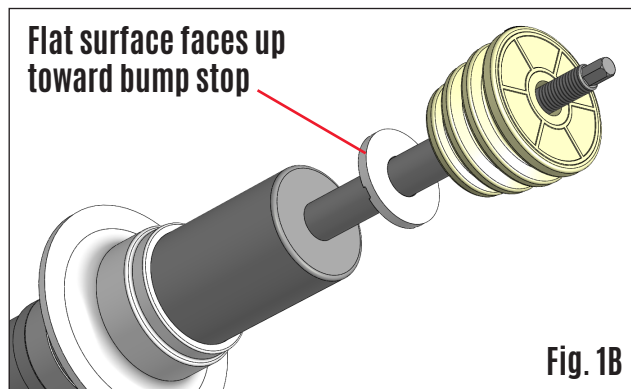
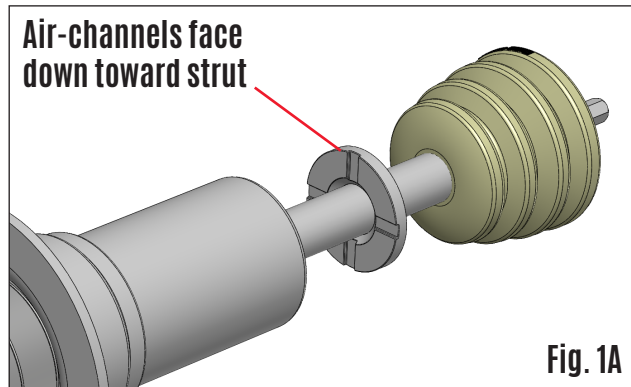


## Ventilation Disk Installation Warning:

When assembling the Belltech shock/strut, make note of the orientation of the supplied Belltech ventilation disk. It has two sides: a flat side and an air-channeled side. The air-channeled side **MUST** be facing downward toward the shock/strut and the flat side toward the bump stop (See figures 1A and 1B).

Failure to do this, will result in shock/strut damage.

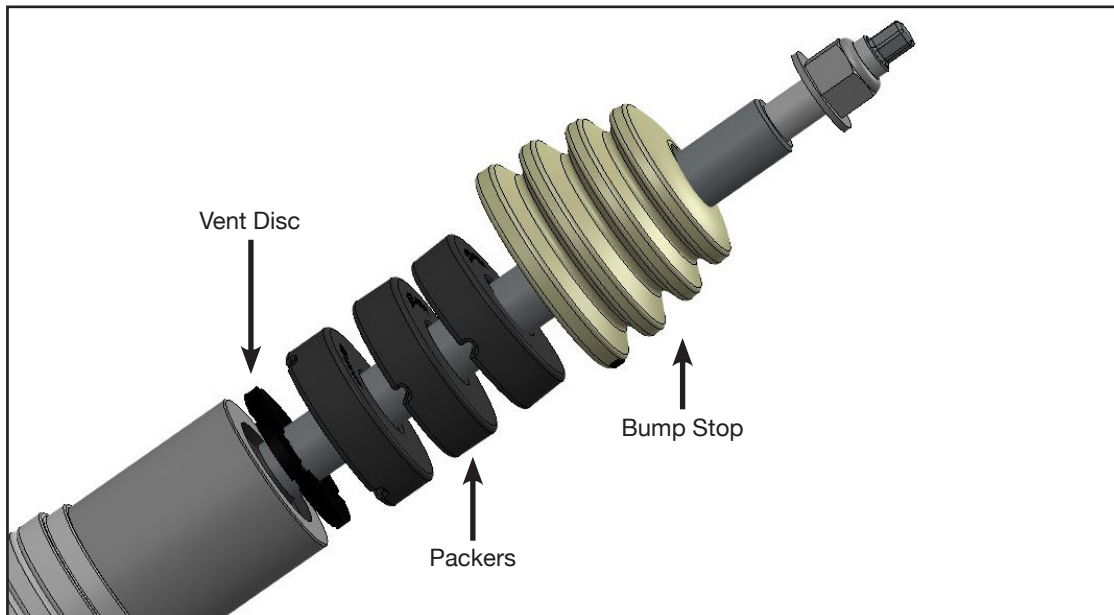
24. Slide the vent disk on to the strut rod. Ensure the air-channeled side facing down as shown in the images below.



## BELLTECH STRUT HEIGHT SETUP AND ASSEMBLY CONTINUED

25. Using the table below as reference, slide the required packers onto the strut rod. The table is for both the yellow Bilstein struts (excluding Sasquatch) and the OEM FoMoCo struts.

2021+ Ford Bronco 4WD (FoMoCo and Bilstein struts, excluding Sasquatch)	
Lift (Inches)	15mm Packer
4"	0
5"	1
6"	2
7"	3
7.5"	3



### Technician note:

Belltech uses packers to maintain the correct bump stop engagement at various height ranges. Using the appropriate packer will prevent excessive body roll. If a packer is needed, according to the tables above, please place the packer on top of the vent disc, channel side down, as shown by the image above this text box.

26. With the OEM spring still compressed, slide the new Belltech strut into the spring.
27. Align the top mount with the spring and spring perch using the original markings previously made.
28. Fasten the strut assembly with the supplied Nyloc nut onto the strut and torque to 41 ft lbs.

## BELLTECH STRUT INSTALLATION

29. Install the strut assembly into the upper chassis mount by aligning the bolts and guide pin with the original mounting holes. Torque the three top mount nuts to 41 ft lbs.



### Technician reminder:

DO NOT USE pneumatic tools to torque the strut to the chassis.



30. Place the lower strut mount onto the lower control arm. Torque the supplied lower strut bolts and Nyloc nuts to 66 ft lbs.
31. Attach the spindle to the upper ball joint. Ensure the CV axle shaft properly aligns into the hub. Torque the upper ball joint nut to 46 ft lbs.



## BELLTECH STRUT INSTALLATION CONTINUED

32. With the CV axle properly seated in the hub, fasten with the axle nut and torque to 221 ft lbs.



33. Reattach the ABS and brake line bracket to the chassis and spindle with the original hardware. Torque to 17 ft lbs.

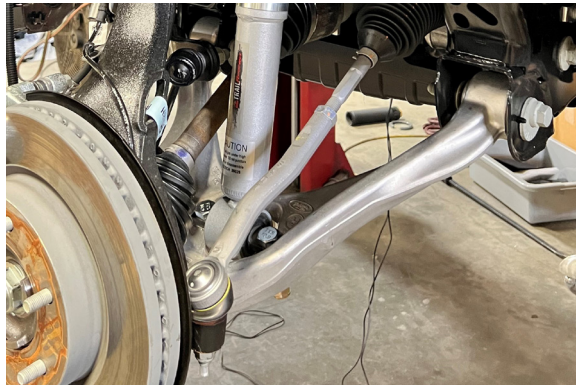
34. Reattach the ABS wheel speed sensor to the outside of the spindle. Torque to 71 inch lbs.



### Technician reminder:

Ensure the spindle area and the sensor are free from dirt and debris to prevent system warning lights and/or malfunction.

35. Attach the steering tie rod end to the spindle, torque to 46 ft lbs.



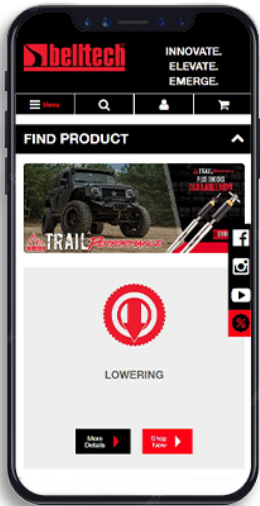
36. Reattach the sway bar end links to the lower control arm, torque to 111 ft lbs.

# FINALIZING THE INSTALLATION

37. Mount the wheels and tighten the lug nuts.
38. Lift the vehicle and remove the support stands.
39. Carefully lower the vehicle onto the flat ground.
40. Torque the lug nuts to 100 ft lbs.
41. Check that all components and fasteners have been properly installed and torqued.
42. Read and perform all tasks in the “Before Driving Your Vehicle” section of page 1 of your instructions.

## THANK YOU FOR CHOOSING BELLTECH.

You are now a part of the Belltech family and we are eager to catch a glimpse of your newly modified vehicle. Give us a shout out and let us know how much you love our product. Don't forget, we offer other Belltech related merchandise for you and your vehicle on our website [www.belltech.com](http://www.belltech.com)



belltechsuspension



Belltech Suspension



@belltechsuspension

If you have any questions, concerns, or warranty related issues regarding your Belltech product, please call or email our experienced customer service specialists.

### Belltech Customer Support:

Phone: 1-800-445-3767

Email: [info@belltech.com](mailto:info@belltech.com)

# KIT CONTENTS



28026		
Part number	Description	Qty
28026-200	Belltech Front Strut	1
NUT	Flanged Nyloc Nut	1
4926-001	Bump Stop	1
4935-001	15mm Packer	3
65210031	Vent Disc	1
26026-009-956	Spring Perch Adapter	1
25003-008	8mm Lifting Ring	5
25003-010	10mm Lifting Ring	3
25003-015	15mm Lifting Ring	2

25007-777 Hardware Kit		
Part number	Description	Qty
112307	Bolt Flanged Hex	2
112308	Flanged Nyloc Nut	2