



INSTALLATION GUIDE

PART NUMBER: 26007

LEVELING STRUT

FORD F-150 2WD / 4WD | 2015-2020

0 TO 2" HEIGHT ADJUSTABLE

300 W. PONTIAC WAY. CLOVIS, CA 93612
PHONE: 800-445-3767 | EMAIL: INFO@BELLTECH.COM

THANK YOU

Thank you for choosing our high quality Belltech product. We have spent a great deal of time developing our line of products so that you will receive maximum performance with minimal difficulty during installation. Soon your vehicle will be on the road looking and feeling much improved.

Please take a moment to read all instructions and warnings prior to installation of your new Belltech product and before operating your vehicle. If you have any questions or concerns regarding any step in the installation process, please do not hesitate to call or email our customer support specialists who are trained to help you through any portion of this process.

Before You Begin:

It is of the utmost importance that you confirm all of the components listed on the parts list is in the kit. You can find this list located on the last page(s) of your instructions. Do not begin installation if any part is missing. Instead, please call our Belltech customer service specialists.

Belltech Customer Support:

Phone: 1-800-445-3767

Email: info@belltech.com

Safety Information:

Warning: Do not work under a vehicle supported only by a jack. Place support stands securely under the vehicle in the manufacturer's specified locations unless otherwise instructed.

Proper use of safety equipment and eye/face/hand protection is absolutely necessary when performing any of the following instructions.

We strive for an exceptional experience for all our valued customers. If for any reason you need assistance with your Belltech products, please do not return the product to the store you purchased from, but rather call our dedicated customer service experts, from 7am to 5pm PST.

We recommend that a qualified mechanic, at a properly equipped facility, perform this installation.

It is very helpful to have an assistant available during installation.

Before Driving Your Vehicle:

It is important to double check all brake hoses, cables, and other components to be sure there is no interference. You must also check for wheel/tire to chassis/body interference. If any issues are found, review your installation instructions to be sure no steps were missed and any problems are corrected.

Make sure your vehicle is aligned immediately following installation.

Check all hardware and re-torque at intervals for the first 10, 100, and 1000 miles.

Some of Belltech's products are designed to improve your vehicle's off-road performance. Leveling/lifting your vehicle may result in an altered center of gravity. It is crucial to use extreme care when operating your vehicle to prevent rollover and/or loss of control.

Any changes in your vehicle's suspension may result in transformed handleability. Please test-drive your vehicle in a remote location so you can become accustomed to the revised driving characteristics.

Perform headlight check and adjustment.

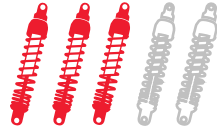
Failure to drive any modified vehicle in a safe manner may result in harm or death.

Never operate your modified vehicle under the influence of drugs, alcohol, or lack of adequate sleep.

Always wear your seatbelt.



DIFFICULTY:



INSTALLATION TIME:

2-4 Hours + Alignment

RECOMMENDED TOOLS:

- Properly rated floor jack
- Support stands
- Wheel chocks
- Metric socket wrench set
- Metric wrench set
- Hex bit socket set
- Tape measure
- Marking Pen

SPECIALTY TOOLS:

- High quality spring compressor
- Torque wrench up to 150 ft lbs.

INSTALLATION PREPARATION:

Before beginning the installation process, measure the hub to fender heights for your vehicle and record them in the “Before” section. After your vehicle has been modified, record the new measurements in the, “After” section. This way, you can compare the resulting height to the original. When taking the measurements, measure vertically from the center of the wheel to the inner edge of the fender.

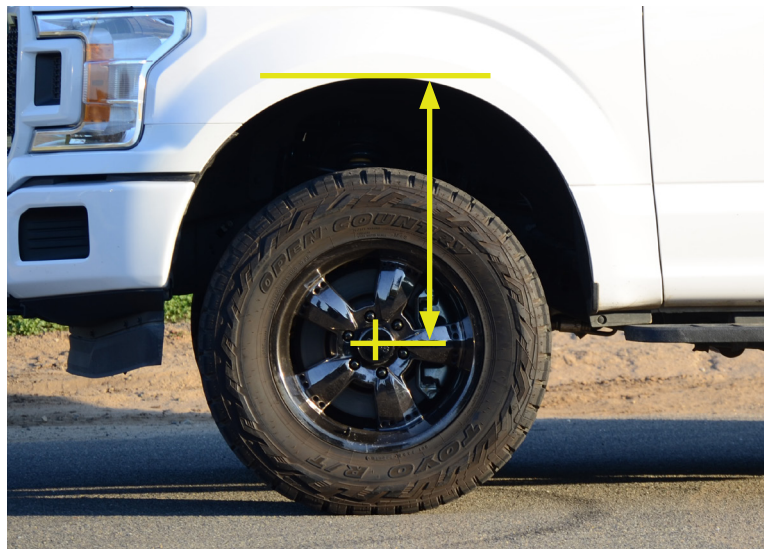
Before:

LF: _____

RF: _____

LR: _____

RR: _____



After:

LF: _____

RF: _____

LR: _____

RR: _____

JACKING, SUPPORTING, AND PREPARING THE VEHICLE

1. Park your vehicle on a smooth, level, concrete or seasoned asphalt surface.
2. Block the rear wheels of the vehicle using wheel chocks. Make sure the vehicle's transmission is in "PARK" (automatic) or 1st gear (manual).
3. Activate the parking brake.
4. Break loose, but do not spin the wheel lug nuts to ease in removal when the wheels are in the air.
5. Lift the front of the vehicle off the ground using a properly rated floor jack. Lift the vehicle so the front tires are approximately 6-8 inches off the ground.
6. Place support stands rated for the vehicles weight. The stands should be positioned in the factory specified locations (Refer to owners manual). Prior to lowering the vehicle onto stands, make sure the support stands will contact the chassis. It is very important that the vehicle is properly supported to prevent any harm to ones self or to the vehicle.
7. Lower the vehicle slowly onto the stands.
8. Remove the front wheels.

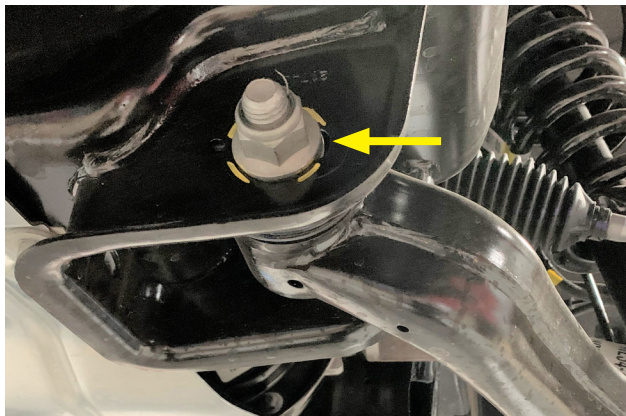


Technician reminder:

Never work under a vehicle supported only by a jack. It is necessary to place support stands securely under the vehicle in the manufacturer's specified locations unless otherwise instructed.

OEM STRUT REMOVAL

9. Before removing any component, use a marking pen mark the alignment cams to reference placement later.



10. Working on one side at a time, use a 21mm and 27mm wrench to remove the cross member nuts and bolts that connect the lower control arm and frame.

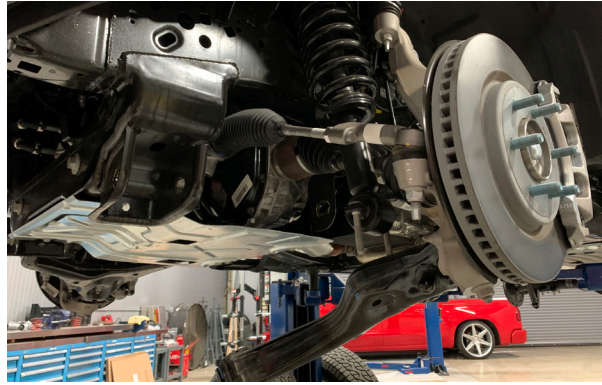


11. Remove the two 18mm nuts securing the lower strut mount to the control arm.



OEM STRUT REMOVAL CONTINUED

12. Push the spindle and lower control arm down and away until the lower shock studs are clear of the control arm.



13. Remove the three top mount 18mm nuts that secure the top of the strut to the chassis.



14. Pull the strut assembly out of the chassis strut tower and remove from the vehicle.



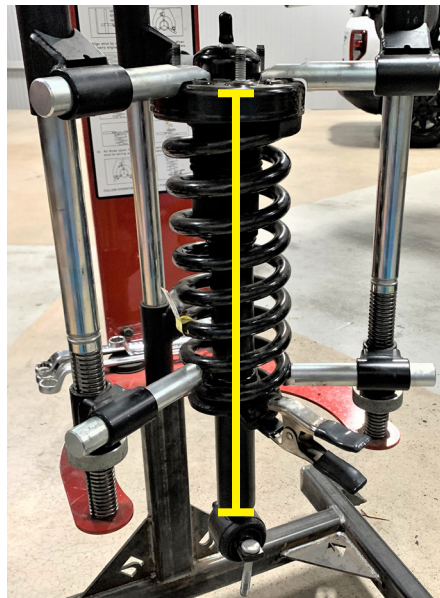
OEM STRUT DISASSEMBLY

- Using a proper spring compressor, mount the strut assembly and ensure it is secured before proceeding. To ease the installation of the new strut, mark the position of the top mount in relationship to the upper spring isolator and strut body. Compress the spring until tension is relieved from the strut.



Technician note:

The coil spring is held in place under extreme compression. **Belltech** recommends the use of a heavy-duty spring compressor suitable for truck springs to perform the following steps. If unsure of your spring compressor capabilities, please take your struts to a professional installer. Use caution during the following steps to avoid personal injury and/or damage to the vehicle.



- Using a 17mm wrench (stock nut size) and a 8mm hex bit socket, remove the top nut from the strut assembly (DO NOT USE AN IMPACT GUN). Remove the top nut and mount. You will use the top mount with your new Belltech strut later.



Technician reminder:

The strut will need to be supported to prevent it from falling when the nut is removed.



- Remove the strut from the compressed spring fixture.
- Remove the OEM spacer ring (if applicable), rubber isolator, and OEM bump stop from the strut.



BELLTECH STRUT ASSEMBLY

19. The strut is delivered as shown below. Remove the Nyloc nut from the top of the Belltech strut to proceed.



Technician note:

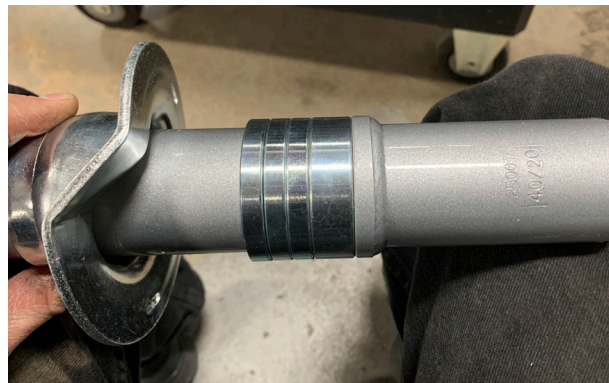
When raising your vehicle more than 1", OE camber may not be achievable. After installation a final shop alignment procedure is recommended to minimize tire wear.

20. Using the tables below as reference, add the needed lift rings to reach the desired height. If a half inch increment lift is desired, add a 8mm spacer referencing the proper table for your vehicle.

2015-2020 F-150 2WD			
Lift (Inches)	8mm Ring Spacer	16mm Ring Spacer	15mm Packer
2"	0	2	2
1"	0	1	1
0"	0	0	0

2015-2020 F-150 4WD			
Lift (Inches)	8mm Ring Spacer	16mm Ring Spacer	15mm Packer
2"	1	3	3
1"	1	2	2
0"	1	1	1

21. Transfer plastic lower spring isolator from OE perch to the new Belltech perch. Install the spring perch over the lift rings onto the strut. Do not install the spring perch upside down.



BELLTECH STRUT ASSEMBLY CONTINUED



Ventilation Disk Installation Warning:

When assembling the Belltech shock/strut, make note of the orientation of the supplied Belltech ventilation disk. It has two sides: a flat side and an air-channeled side. The air-channeled side **MUST** be facing downward toward the shock/strut and the flat side toward the bump stop (See figures 1A and 1B).

Failure to do this, will result in shock/strut damage.

- Slide the vent disk on the strut rod. Ensure the air-channeled side facing down as shown in the images below.

Air-channels face down toward strut

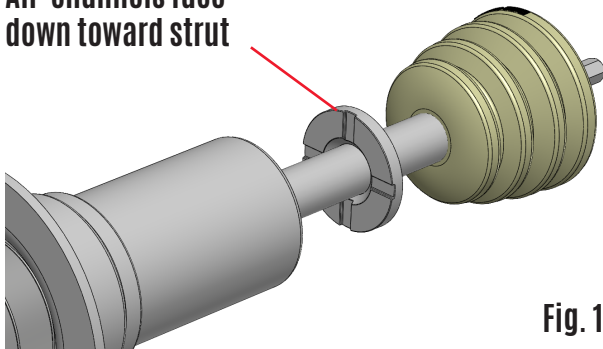


Fig. 1A

Flat surface faces up toward bump stop

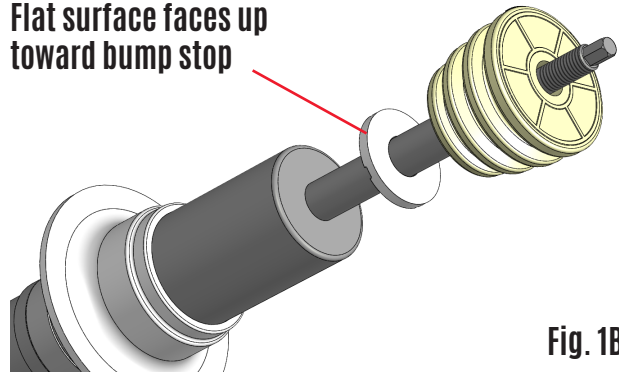


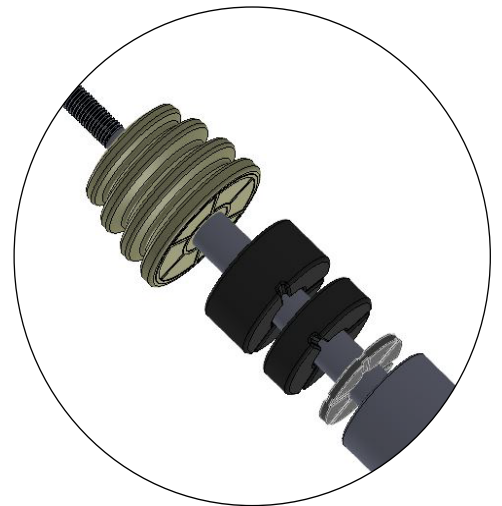
Fig. 1B

- Slide the required packers onto the strut rod.



Technician note:

Belltech uses packers to maintain the correct bump stop engagement at various height ranges. Using the appropriate packer will prevent excessive body roll. If a packer is needed, according to the chart on the previous page, please place the packer on top of the vent disc, channel side down, as shown by the image to the right of this text box.



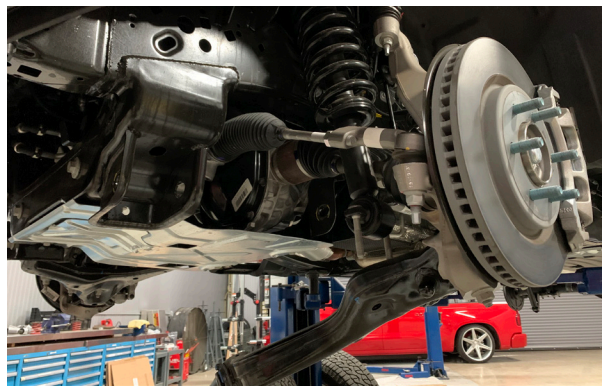
- With the OEM spring still compressed, slide the new Belltech strut into the OEM spring and install Belltech bump stop on the strut rod.
- Complete the assembly using the OEM spring isolator, top mount, and supplied Nyloc nut.
- Align the top mount with the spring using the original marking made in step 15. Torque the strut rod nut to 41 ft lbs.

BELLTECH STRUT INSTALLATION

27. Install the strut assembly into the chassis strut tower and secure using the three OE nuts. Torque to 52 ft lbs.



28. Attach the lower strut mount to the lower control arm using the supplied flanged bolts and Nyloc nuts. Torque the supplied nuts to 66 ft lbs.



29. Reattach the lower control arm to the frame using the OE alignment hardware. Do not tighten or torque until your vehicle is back on the ground. Torque to 258 ft lbs.

30. Set the alignment settings to the markings made before installation.

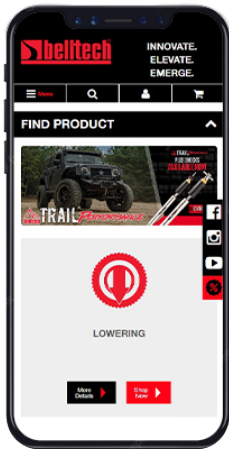


FINALIZING THE INSTALLATION

31. Mount the wheels and tighten the lug nuts.
32. Lift the vehicle and remove the support stands.
33. Carefully lower the vehicle onto the flat ground.
34. Torque the lug nuts to 150 ft lbs.
35. Check that all components and fasteners have been properly installed and torqued.
36. Read and perform all tasks in the “Before Driving Your Vehicle” section of page 1 of your instructions.

THANK YOU FOR CHOOSING BELLTECH.

You are now a part of the Belltech family and we are eager to catch a glimpse of your newly modified vehicle. Give us a shout out and let us know how much you love our product. Don't forget, we offer other Belltech related merchandise for you and your vehicle on our website www.belltech.com



[belltechsuspension](https://www.facebook.com/belltechsuspension)



[Belltech Suspension](https://www.youtube.com/BelltechSuspension)



[@belltechsuspension](https://www.instagram.com/belltechsuspension)

If you have any questions, concerns, or warranty related issues regarding your Belltech product, please call or email our experienced customer service specialists.

Belltech Customer Support:

Phone: 1-800-445-3767

Email: info@belltech.com

KIT CONTENTS



26007		
Part number	Description	Qty
26007-001	LEVELING STRUT	1
112292	12MM NYLOC NUT	1
25012	SPRING PERCH	1
65210031	VENT DISK	1
4935-001	15MM PACKER	3
4927-001	BUMP STOP	1
25003-008	8MM SPACER	1
25003-016	16MM SPACER	3
25007-777	HARDWARE KIT	1

25007-777 Hardware Kit		
Part number	Description	Qty
112307	M14 - 75MM FLANGED BOLT	2
112308	M14 FLANGED NYLOC NUT	2