



INSTALLATION GUIDE

PART NUMBER: 26029
REAR LIFTING STRUT
FORD BRONCO 4WD | 2021+

0" TO +4" HEIGHT ADJUSTABLE

300 W. PONTIAC WAY. CLOVIS, CA 93612
PHONE: 800-445-3767 | EMAIL: INFO@BELLTECH.COM

THANK YOU

Thank you for choosing our high quality Belltech product. We have spent a great deal of time developing our line of products so that you will receive maximum performance with minimal difficulty during installation. Soon your vehicle will be on the road looking and feeling much improved.

Please take a moment to read all instructions and warnings prior to installation of your new Belltech product and before operating your vehicle. If you have any questions or concerns regarding any step in the installation process, please do not hesitate to call or email our customer support specialists who are trained to help you through any portion of this process.

Before You Begin:

It is of the utmost importance that you confirm all of the components listed on the parts list is in the kit. You can find this list located on the last page(s) of your instructions. Do not begin installation if any part is missing. Instead, please call our Belltech customer service specialists.

Belltech Customer Support:

Phone: 1-800-445-3767

Email: info@belltech.com

Safety Information:

Warning: Do not work under a vehicle supported only by a jack. Place support stands securely under the vehicle in the manufacturer's specified locations unless otherwise instructed.

Proper use of safety equipment and eye/face/hand protection is absolutely necessary when performing any of the following instructions.

We strive for an exceptional experience for all our valued customers. If for any reason you need assistance with your Belltech products, please do not return the product to the store you purchased from, but rather call our dedicated customer service experts, from 7am to 5pm PST.

We recommend that a qualified mechanic, at a properly equipped facility, perform this installation.

It is very helpful to have an assistant available during installation.

Before Driving Your Vehicle:

It is important to double check all brake hoses, cables, and other components to be sure there is no interference. You must also check for wheel/tire to chassis/body interference. If any issues are found, review your installation instructions to be sure no steps were missed and any problems are corrected.

Make sure your vehicle is aligned immediately following installation.

Check all hardware and re-torque at intervals for the first 10, 100, and 1000 miles.

Some of Belltech's products are designed to improve your vehicle's off-road performance. Leveling/lifting your vehicle may result in an altered center of gravity. It is crucial to use extreme care when operating your vehicle to prevent rollover and/or loss of control.

Any changes in your vehicle's suspension may result in transformed handleability. Please test-drive your vehicle in a remote location so you can become accustomed to the revised driving characteristics.

Perform headlight check and adjustment.

Failure to drive any modified vehicle in a safe manner may result in harm or death.

Never operate your modified vehicle under the influence of drugs, alcohol, or lack of adequate sleep.

Always wear your seatbelt.



DIFFICULTY:



INSTALLATION TIME:

2-4 Hours + Alignment

RECOMMENDED TOOLS:

- Properly rated floor jack
- Support stands
- Wheel chocks
- Metric socket wrench set
- Metric wrench set
- Tape measure
- Marking Pen

SPECIALTY TOOLS:

- High quality spring compressor
- Torque wrench up to 350 ft lbs.



FITMENT GUIDE

Minimum wheel specs: 17" diameter, 5" Backspacing

Maximum recommended tire size: 37" with 6" wheel backspacing

INSTALLATION PREPARATION:

Before beginning the installation process, measure the hub to fender heights for your vehicle and record them in the "Before" section. After your vehicle has been modified, record the new measurements in the, "After" section. This way, you can compare the resulting height to the original. When taking the measurements, measure vertically from the center of the wheel to the inner edge of the fender.

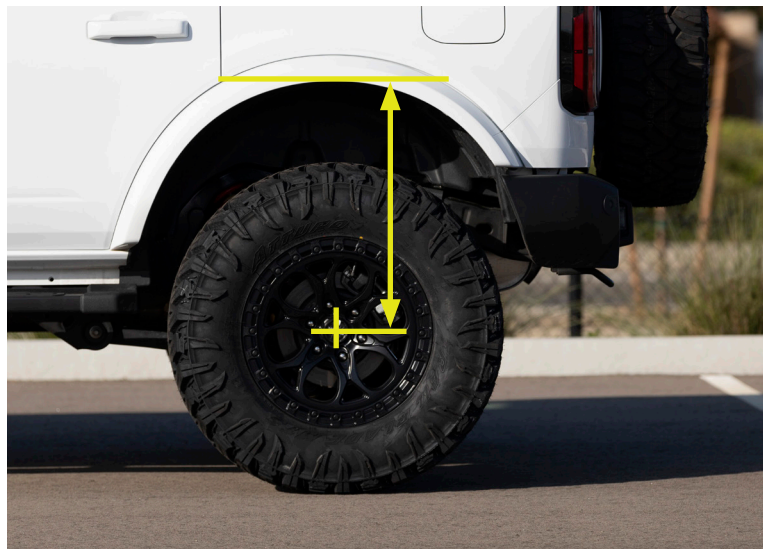
Before:

LF: _____

RF: _____

LR: _____

RR: _____



After:

LF: _____

RF: _____

LR: _____

RR: _____

JACKING, SUPPORTING, AND PREPARING THE VEHICLE

1. Park your vehicle on a smooth, level, concrete or seasoned asphalt surface.
2. Block the front wheels of the vehicle using wheel chocks. Make sure the vehicle's transmission is in "PARK" (automatic) or 1st gear (manual).
3. Activate the parking brake.
4. Break loose, but do not spin the wheel lug nuts to ease in removal when the wheels are in the air.
5. Lift the rear of the vehicle off the ground using a properly rated floor jack. Lift the vehicle so the front tires are approximately 6-8 inches off the ground.
6. Place support stands rated for the vehicles weight. The stands should be positioned in the factory specified locations. (Refer to the owners manual). Prior to lowering the vehicle onto stands, make sure the support stands will contact the chassis. It is very important that the vehicle is properly supported to prevent any harm to ones self or to the vehicle.
7. Lower the vehicle slowly onto the stands.
8. Remove the rear wheels.



Technician reminder:

Never work under a vehicle supported only by a jack. It is necessary to place support stands securely under the vehicle in the manufacturer's specified locations unless otherwise instructed.

OEM STRUT REMOVAL

9. Remove the rear fender liner using a Philips screw driver. There will be 10 clips and 3 screws holding each liner in place.



10. Support the axle with a jack.
11. Remove 27mm lower strut bolt.



12. Remove 15mm upper strut nuts.



13. Remove the strut assembly from the vehicle.



STRUT DISASSEMBLY

- Using a proper spring compressor, mount the strut assembly and ensure it is secured before proceeding. To ease the installation of the new strut, mark the position of the top mount in relationship to the upper spring isolator, lower spring perch, and strut body.



Technician note:

The coil spring is held in place under extreme compression. **Belltech** recommends the use of a heavy-duty spring compressor suitable for truck springs to perform the following steps. If unsure of your spring compressor capabilities, please take your struts to a professional installer. Use caution during the following steps to avoid personal injury and/or damage to the vehicle.



- Compress the spring until tension is relieved from the strut.
- Hold the strut shaft from spinning and remove the top center nut from the strut. Support the shock as the nut is removed; it will fall if not supported.

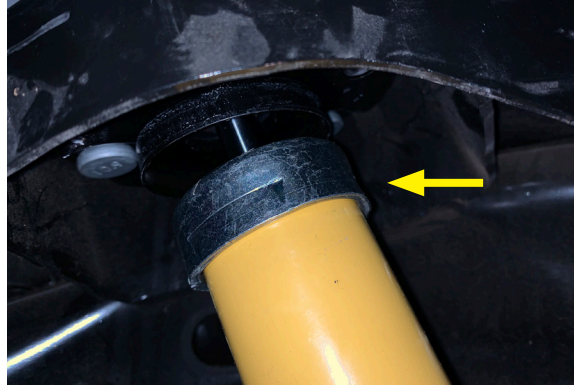


- Remove top mount, upper spring isolator, and dust boot to use with your new Belltech strut later.



STRUT DISASSEMBLY CONTINUED

18. Remove the OEM strut from the compressed spring fixture.
19. Remove the dust cap off the top of the strut body.



20. Remove the lower spring perch off the original strut using a dead blow hammer.



Technician reminder:

Removal of the lower spring perch may require significant force. Ensure not to damage the spring perch during the removal.

BELLTECH STRUT HEIGHT SETUP AND ASSEMBLY

21. The strut is delivered as shown below. Remove the Nyloc nut from the top of the Belltech strut to proceed.



Technician note:

When lifting your vehicle more than 1", OE camber may not be achievable. Ensure proper toe alignment to minimize tire wear.

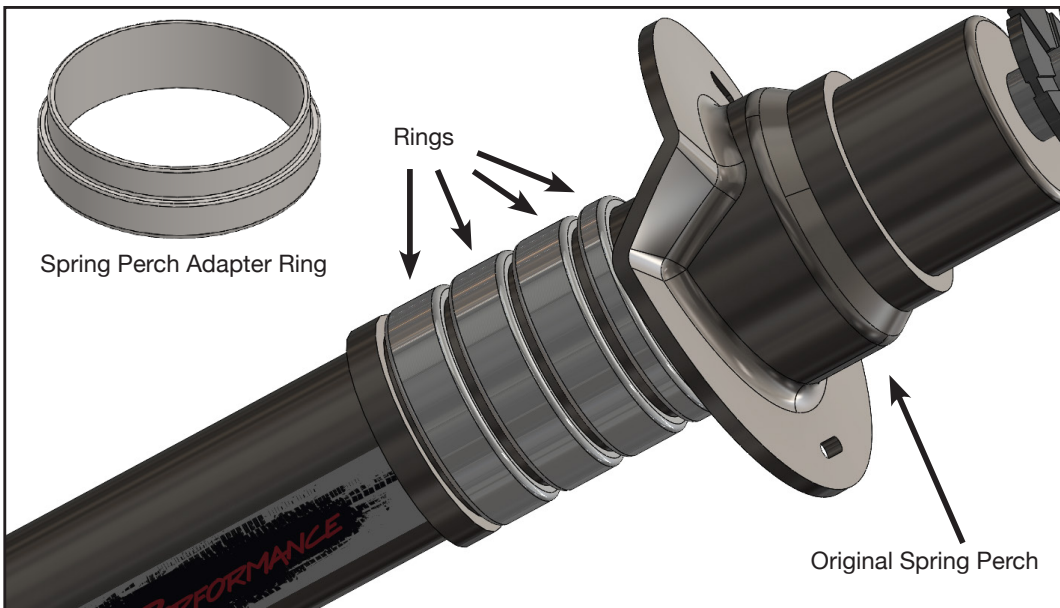
22. Using the tables below as reference, slide the required rings onto the strut. Please pay special attention to the original struts. One table is made for the yellow Bilstein struts (excluding Sasquatch) and the other is for the OEM FoMoCo struts.

2021+ Ford Bronco 4WD (Bilstein struts, excluding Sasquatch)				
Lift (Inches)	Adapter Ring	24mm Ring	15mm Ring	12mm Ring
0"	1	0	2	0
1"	1	1	2	0
2"	1	2	2	0
3"	1	3	2	0
4"	1	3	2	2

2021+ Ford Bronco 4WD (Black FoMoCo struts)				
Lift (Inches)	Adapter Ring	24mm Ring	15mm Ring	12mm Ring
0"	1	0	0	0
1"	1	1	0	0
2"	1	2	0	0
3"	1	3	0	0
4"	1	3	0	2

23. Slide the perch adapter ring onto the strut with the narrow portion facing upward.

24. Place OE spring perch and lower spring isolator onto the adapter ring.



BELLTECH STRUT HEIGHT SETUP AND ASSEMBLY CONTINUED

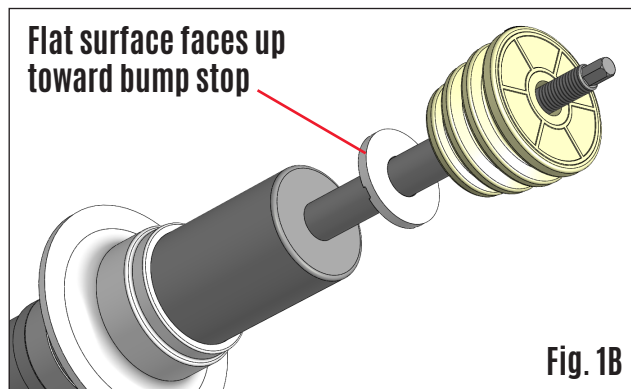
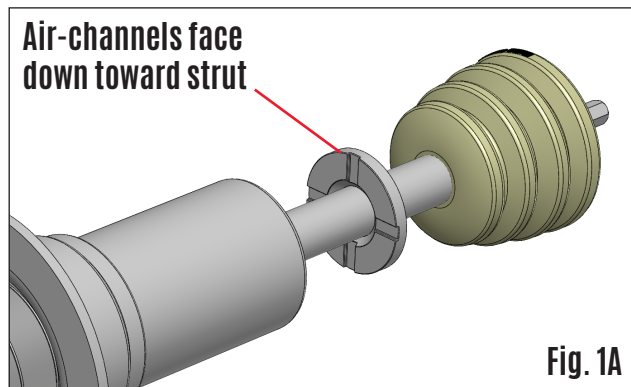


Ventilation Disk Installation Warning:

When assembling the Belltech shock/strut, make note of the orientation of the supplied Belltech ventilation disk. It has two sides: a flat side and an air-channeled side. The air-channeled side **MUST** be facing downward toward the shock/strut and the flat side toward the bump stop (See figures 1A and 1B).

Failure to do this, will result in shock/strut damage.

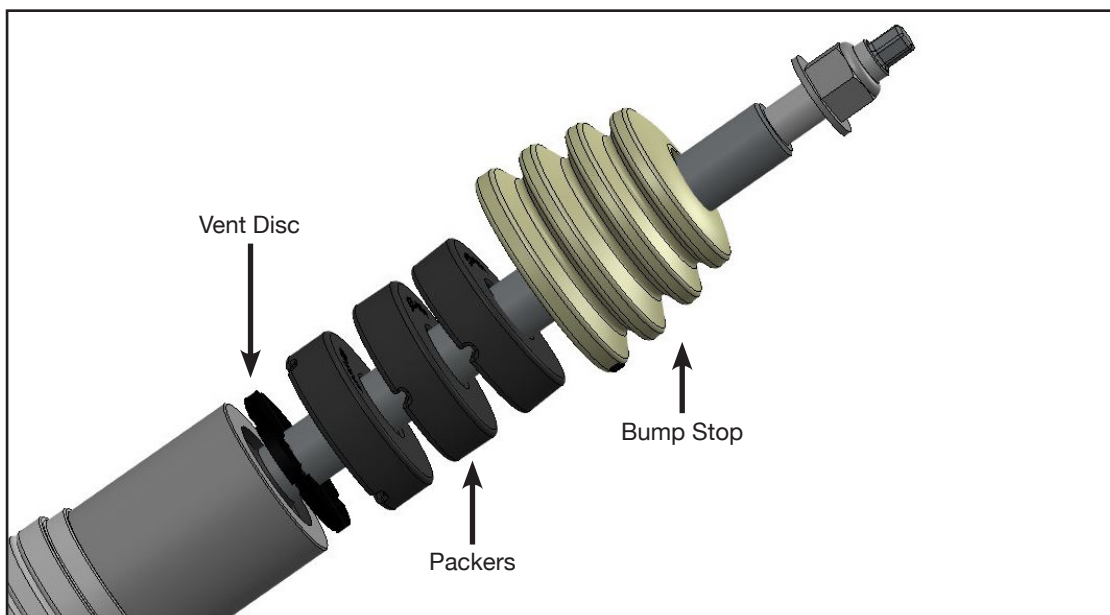
25. Slide the vent disk on to the strut rod. Ensure the air-channeled side facing down as shown in the images below.



BELLTECH STRUT HEIGHT SETUP AND ASSEMBLY CONTINUED

26. Using the table below as reference, slide the required packers onto the strut rod. The table is for both the yellow Bilstein struts (excluding Sasquatch) and the OEM FoMoCo struts.

2021+ Ford Bronco 4WD (FoMoCo and Bilstein struts, excluding Sasquatch)		
Lift (Inches)	15mm Packer	25mm Packer
0"	0	0
1"	1	0
2"	1	1
3"	1	2
4"	1	3



Technician note:

Belltech uses packers to maintain the correct bump stop engagement at various height ranges. Using the appropriate packer will prevent excessive body roll. If a packer is needed, according to the tables above, please place the packer on top of the vent disc, channel side down, as shown by the image above this text box.

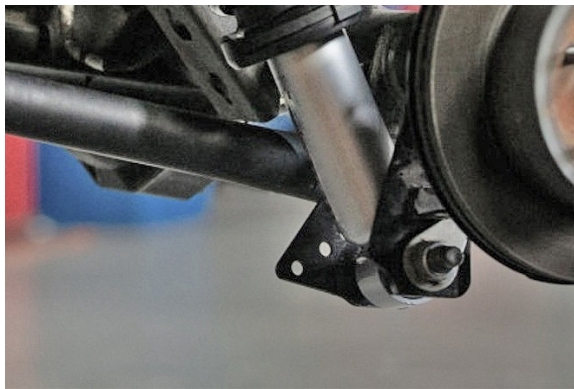
27. With the OEM spring still compressed, slide the new Belltech strut into the spring.
28. Align the top mount with the spring and spring perch using the original markings previously made.
29. Fasten the strut assembly with the supplied Nyloc nut onto the strut and torque to 41 ft lbs.

BELLTECH STRUT INSTALLATION

30. Install the Belltech strut into the strut tower and secure it using the three original nuts. Torque to 41 ft lbs.



31. Attach the lower strut mount to the axle and torque to 350 ft lbs.



32. Remove the jack that was supporting the axle.

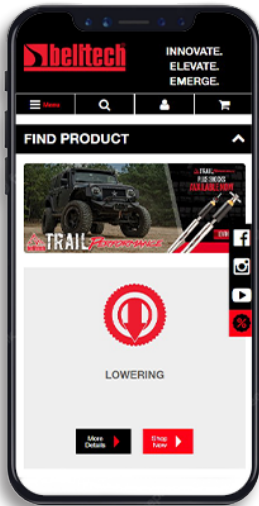
33. Replace the rear fender liners using a Philips head screw driver.

FINALIZING THE INSTALLATION

34. Mount the wheels and tighten the lug nuts.
35. Lift the vehicle and remove the support stands.
36. Carefully lower the vehicle onto the flat ground.
37. Torque the lug nuts to 100 ft lbs.
38. Check that all components and fasteners have been properly installed and torqued.
39. Read and perform all tasks in the “Before Driving Your Vehicle” section of page 1 of your instructions.

THANK YOU FOR CHOOSING BELLTECH.

You are now a part of the Belltech family and we are eager to catch a glimpse of your newly modified vehicle. Give us a shout out and let us know how much you love our product. Don't forget, we offer other Belltech related merchandise for you and your vehicle on our website www.belltech.com



belltechsuspension



Belltech Suspension



@belltechsuspension

If you have any questions, concerns, or warranty related issues regarding your Belltech product, please call or email our experienced customer service specialists.

Belltech Customer Support:

Phone: 1-800-445-3767

Email: info@belltech.com

KIT CONTENTS



26029		
Part number	Description	Qty
26029-200	Belltech Front Strut	1
NUT	M12 x 1.5 Nyloc Nut	1
4926-001	Bump Stop	1
4935-001	15mm Packer	1
4936-001	25mm Packer	3
65210031	Vent Disc	1
26026-009-956	Spring Perch Adapter	1
25003-024-956	24mm Ring Spacer	3
25003-015	15mm Ring Spacer	2
25003-012-956	12mm Ring Spacer	2