



INSTALLATION GUIDE

PART NUMBER: 25020
LOWERING STRUT
RAM 1500 2WD / 4WD | 2019+

****NEW GENERATION BODY STYLE****

-1" TO -3" ADJUSTABLE RIDE HEIGHT

300 W. PONTIAC WAY. CLOVIS, CA 93612
PHONE: 800-445-3767 | EMAIL: INFO@BELLTECH.COM

THANK YOU

Thank you for choosing our high quality Belltech product. We have spent a great deal of time developing our line of products so that you will receive maximum performance with minimal difficulty during installation. Soon your vehicle will be on the road looking and feeling much improved.

Please take a moment to read all instructions and warnings prior to the installation of your new Belltech product and before operating your vehicle. For any questions or concerns regarding the steps in the installation process, please do not hesitate to call or email our customer support team who are trained to help you through any portion of this process.

Before You Begin:

It is of the utmost importance that you confirm all of the components listed on the parts list is in the kit. You can find this list located on the last page(s) of your instructions. Do not begin installation if any part is missing. Instead, please call our Belltech customer service specialists.

Belltech Customer Support:

Phone: 1-800-445-3767

Email: info@belltech.com

Safety Information:

Warning: Do not work under a vehicle supported only by a jack. Place support stands securely under the vehicle in the manufacturer's specified locations unless otherwise instructed.

Proper use of safety equipment and eye/face/hand protection is absolutely necessary when performing any of the following instructions.

We strive for an exceptional experience for all our valued customers. If for any reason you need assistance with your Belltech products, please do not return the product to the store you purchased from, but rather call our dedicated customer service experts, from 7am to 5pm PST.

We recommend that a qualified mechanic, at a properly equipped facility, perform this installation.

It is very helpful to have an assistant available during installation.

Before Driving Your Vehicle:

It is important to double check all brake hoses, cables, and other components to be sure there is no interference. You must also check for wheel/tire to chassis/body interference. If any issues are found, review your installation instructions to be sure no steps were missed and any problems are corrected.

Make sure your vehicle is aligned immediately following installation.

Check all hardware and re-torque at intervals for the first 10, 100, and 1000 miles.

Some of Belltech's products are designed to improve your vehicle's off-road performance. Leveling/lifting your vehicle may result in an altered center of gravity. It is crucial to use extreme care when operating your vehicle to prevent rollover and/or loss of control.

Any changes in your vehicle's suspension may result in transformed handleability. Please test-drive your vehicle in a remote location so you can become accustomed to the revised driving characteristics.

Perform headlight check and adjustment.

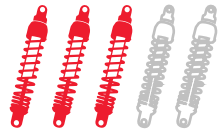
Failure to drive any modified vehicle in a safe manner may result in harm or death.

Never operate your modified vehicle under the influence of drugs, alcohol, or lack of adequate sleep.

Always wear your seatbelt.



DIFFICULTY:



INSTALLATION TIME:

1-2 Hours Per
Strut + Alignment

RECOMMENDED TOOLS:

- Properly rated floor jack
- Wheel chocks
- Metric socket wrench set
- Metric wrench set
- Tape measure
- Marking Pen
- Dead blow hammer

SPECIALTY TOOLS:

- Torque wrench up to 200 ft lbs.
- Spring compressor
- Panel popping tool

INSTALLATION PREPARATION:

Before beginning the installation process, measure the hub to fender heights for your vehicle and record them in the “Before” section. After your vehicle has been modified, record the new measurements in the, “After” section. This way, you can compare the resulting height to the original. When taking the measurements, measure vertically from the center of the wheel to the inner edge of the fender.

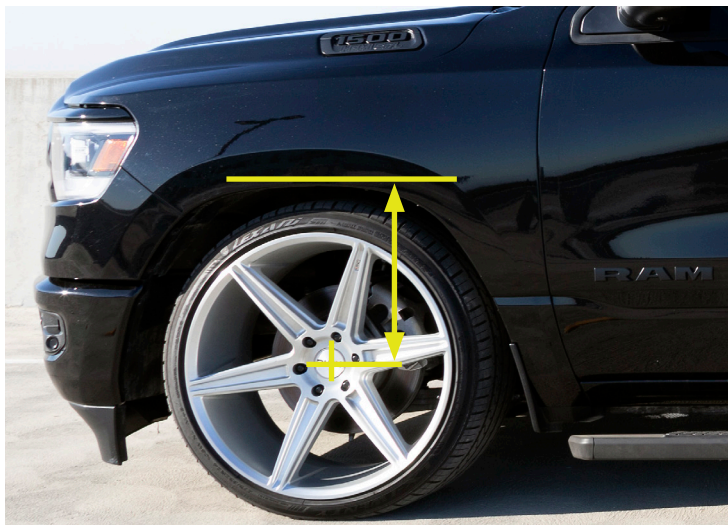
Before:

LF: _____

RF: _____

LR: _____

RR: _____



After:

LF: _____

RF: _____

LR: _____

RR: _____

JACKING, SUPPORTING, AND PREPARING THE VEHICLE

1. Park your vehicle on a smooth, level, concrete or seasoned asphalt surface.
2. Block the rear wheels of the vehicle using wheel chocks. Make sure the vehicle's transmission is in "PARK" (automatic) or 1st gear (manual).
3. Activate the parking brake.
4. Loosen, but do not remove, the front wheel lug nuts.
5. Lift the front of the vehicle off the ground using a properly rated floor jack. Lift the vehicle so the front tires are approximately 6-8 inches off the ground.
6. Place support stands rated for the vehicles weight. The stands should be positioned in the factory specified locations. (Refer to owners manual). Prior to lowering the vehicle onto stands, make sure the support stands will contact the chassis. It is very important that the vehicle is properly supported to prevent any harm to ones self or to the vehicle.
7. Lower the vehicle slowly onto the stands.
8. Remove the front wheels.

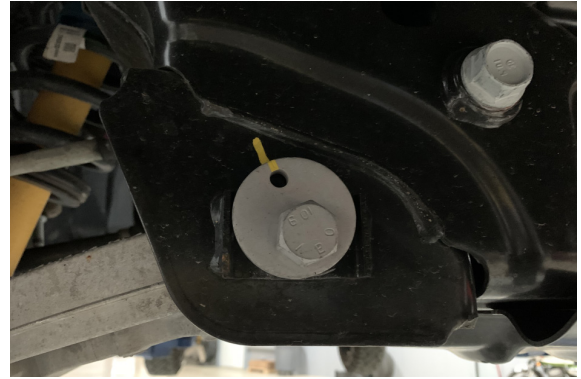
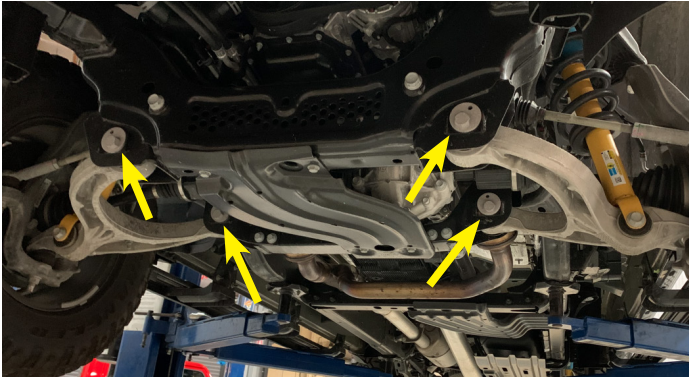


Technician reminder:

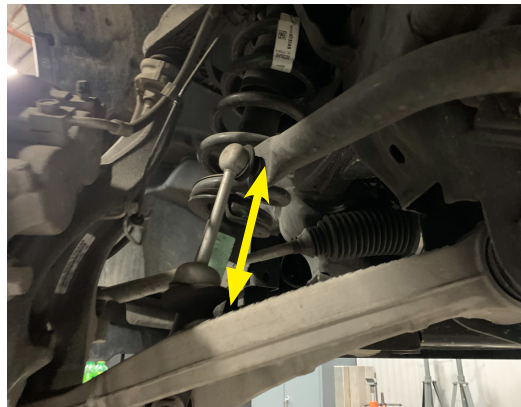
Never work under a vehicle supported only by a jack. It is necessary to place support stands securely under the vehicle in the manufacturer's specified locations unless otherwise instructed.

OEM STRUT REMOVAL

- Using a marking pen, mark all four alignment cams to reference placement later. Use a 24mm wrench to loosen and remove the four lower control arm bolts.



- Use an 18mm socket to remove the sway bar end link from the lower control arm.



- Remove the bottom OE strut fork bolt using both a 21mm and a 24mm wrench.



- Swing the lower control arm down and away from the strut to separate the OEM strut from the lower control arm.



OEM STRUT REMOVAL CONTINUED

13. Using a panel popping tool, unclip the harness clip front the top mount studs.



14. Remove the three upper strut nuts using a 15mm wrench.

15. Once all of the nuts have been unbolted, remove the strut from the chassis.

OEM STRUT DISASSEMBLY

16. Mount the entire spring/strut assembly in the fixture. To ease the installation of the new strut, mark the position of the top mount in relationship to the upper spring isolator and strut body.



Technician note:

The installation photograph shown was taken at a professional installation shop. It is important to use a spring compressor to compress the spring before removing the top mount bolt. Failure to do so may result in serious injury.



17. Compress the spring until tension is relieved from the strut.

18. Remove top nut and mount. You will use the mount with your new Belltech strut later.

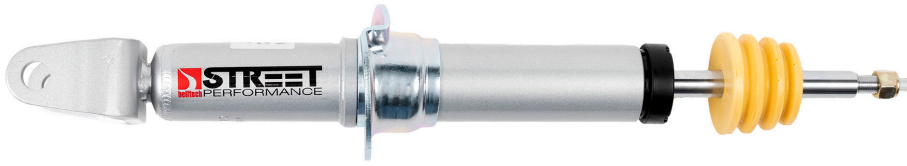
19. Remove the strut from the compressed spring fixture.

20. Remove the bump stop if stuck in dust boot.



BELLTECH STRUT ASSEMBLY

21. The strut is delivered as shown below. Remove the Nylock nut from the top of the Belltech strut to proceed.



22. Using the tables below as reference, add the needed height adjusting rings to reach the desired height. If a half inch lowering increment is desired, please add an additional 8mm ring from the next lowest increment shown on the table below.



Technician note:

When lowering your Ram 1500 more than -1", OE camber may not be achievable. Ensure proper toe alignment to minimize tire wear.

When paired with Belltech's lowering spindles, Part number 2652, OE alignment may be obtained up to a -5" drop.

2019+ RAM 1500 2WD / 4WD			
Lowering (Inches)	8mm Ring Spacer	16mm Ring Spacer	15mm Packer
3"	0	0	0
2"	2	0	0
1"	2	1	1

23. Install the spring perch onto the strut. Do not install the spring perch upside down.

BELLTECH STRUT ASSEMBLY CONTINUED



Ventilation Disk Installation Warning:

When assembling the Belltech shock/strut, make note of the orientation of the supplied Belltech ventilation disk. It has two sides: a flat side and an air-channeled side. The air-channeled side **MUST** be facing downward toward the shock/strut and the flat side toward the bump stop (See figures 1A and 1B).

Failure to do this, will result in shock/strut damage.

- Slide the vent disk on the strut rod. Ensure the air-channeled side facing down as shown in the images below.

Air-channels face down toward strut

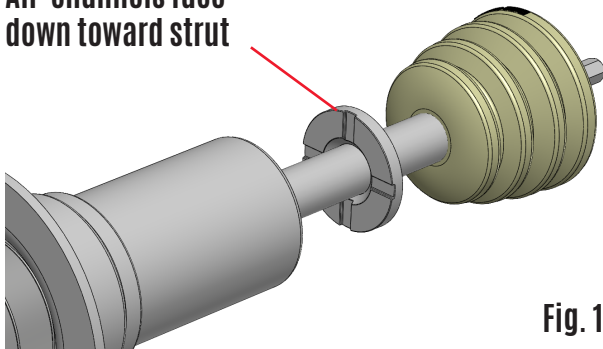


Fig. 1A

Flat surface faces up toward bump stop

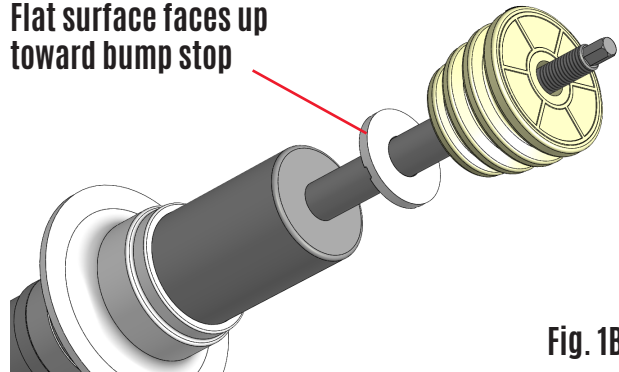


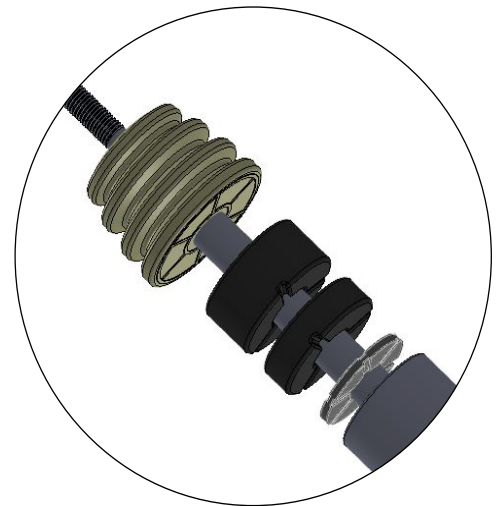
Fig. 1B

- Slide the required packers onto the strut rod.



Technician note:

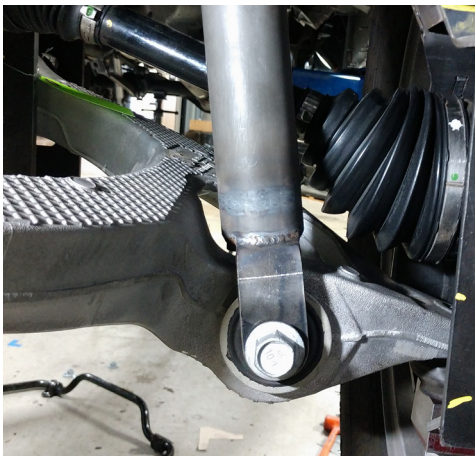
Belltech uses packers to maintain the correct bump stop engagement at various height ranges. Using the appropriate packer will prevent excessive body roll. If a packer is needed, according to the chart on the previous page, please place the packer on top of the vent disc, channel side down, as shown by the image to the right of this text box.



- With the OEM spring still compressed, slide the new Belltech strut into the OEM spring and install Belltech bump stop on the strut rod.
- Complete the assembly using the OEM spring isolator, top mount, and supplied Nyloc nut.
- Align the top mount with the spring using the original marking made in step 16. Torque the strut rod nut to 26 ft lbs.

BELLTECH STRUT INSTALLATION

29. To help with the installation of your new strut, view and reference the photographs from steps 9 through 15. Remember to torque all components with the weight of the vehicle on the suspension.
30. Using a 15mm wrench, Install the top mount into the chassis and secure using the OE nuts. Torque to 52 ft. lbs.
31. Attach the harness clips.
32. Raise the lower control arm back into place towards the strut.
33. Using a 21mm and a 24mm wrench, attach the new Belltech strut with original strut fork blot. Torque to 124 ft. lbs



34. Use an 18mm socket to reattach the sway bar end link. Torque to 69 ft. lbs.
35. Position the lower control arm to the frame and use a 24mm wrench to reattach the lower control arm bolts.



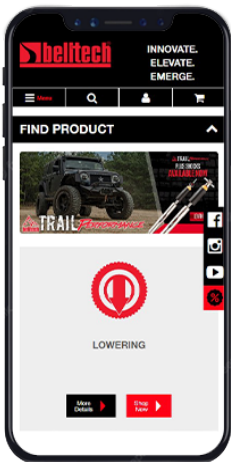
36. Install all four alignment cams by referencing the original marks you made with the marking pen. Tighten the cams and control arm nuts with the full weight of the vehicle on the suspension or with the vehicle on the ground. Torque to 74 ft. lbs. + 145° turn.

FINALIZING THE INSTALLATION

37. Mount the wheels and tighten the lug nuts.
38. Lift the vehicle and remove the support stands.
39. Carefully lower the vehicle onto the flat ground.
40. Torque the lug nuts to manufacturer's specifications.
41. Check that all components and fasteners have been properly installed and torqued.
42. Read and perform all tasks in the "Before Driving Your Vehicle" section of page 1 of your instructions.

THANK YOU FOR CHOOSING BELLTECH.

You are now a part of the Belltech family and we are eager to catch a glimpse of your newly modified vehicle. Give us a shout out and let us know how much you love our product. Don't forget, we offer other Belltech related merchandise for you and your vehicle on our website www.belltech.com



[belltechsuspension](https://www.facebook.com/belltechsuspension)



[Belltech Suspension](https://www.youtube.com/BelltechSuspension)



[@belltechsuspension](https://www.instagram.com/belltechsuspension)

If you have any questions, concerns, or warranty related issues regarding your Belltech product, please call or email our experienced customer service specialists.

Belltech Customer Support:

Phone: 1-800-445-3767

Email: info@belltech.com

KIT CONTENTS



Part number	Description	Qty
25020	Lowering Strut	1
25003-016	16mm Spacer	1
25003-008	8mm Spacer	2
4935-001	15mm Packer	1
NUT	M12 x 1.25	1
4926-001	Bump Stop	1
65210031	Vent Disc	1
26015-002	Spring Perch	1