



INSTALLATION GUIDE

PART NUMBER: 5563
REAR ANTI-SWAY BAR
RAM 1500 2WD / 4WD | 2009-2022

FITS OEM, LIFTED, AND LOWERED HEIGHT APPLICATIONS

300 W. PONTIAC WAY. CLOVIS, CA 93612
PHONE: 800-445-3767 | EMAIL: INFO@BELLTECH.COM

THANK YOU

Thank you for choosing our high quality Belltech product. We have spent a great deal of time developing our line of products so that you will receive maximum performance with minimal difficulty during installation. Soon your vehicle will be on the road looking and feeling much improved.

Please take a moment to read all instructions and warnings prior to installation of your new Belltech product and before operating your vehicle. If you have any questions or concerns regarding any step in the installation process, please do not hesitate to call or email our customer support specialists who are trained to help you through any portion of this process.

Before You Begin:

It is of the utmost importance that you confirm all of the components listed on the parts list is in the kit. You can find this list located on the last page(s) of your instructions. Do not begin installation if any part is missing. Instead, please call our Belltech customer service specialists.

Belltech Customer Support:

Phone: 1-800-445-3767

Email: info@belltech.com

Safety Information:

Warning: Do not work under a vehicle supported only by a jack. Place support stands securely under the vehicle in the manufacturer's specified locations unless otherwise instructed.

Proper use of safety equipment and eye/face/hand protection is absolutely necessary when performing any of the following instructions.

We strive for an exceptional experience for all our valued customers. If for any reason you need assistance with your Belltech products, please do not return the product to the store you purchased from, but rather call our dedicated customer service experts, from 7am to 5pm PST.

We recommend that a qualified mechanic, at a properly equipped facility, perform this installation.

It is very helpful to have an assistant available during installation.

Before Driving Your Vehicle:

It is important to double check all brake hoses, cables, and other components to be sure there is no interference. You must also check for wheel/tire to chassis/body interference. If any issues are found, review your installation instructions to be sure no steps were missed and any problems are corrected.

Make sure your vehicle is aligned immediately following installation.

Check all hardware and re-torque at intervals for the first 10, 100, and 1000 miles.

Some of Belltech's products are designed to improve your vehicle's off-road performance. Leveling/lifting your vehicle may result in an altered center of gravity. It is crucial to use extreme care when operating your vehicle to prevent rollover and/or loss of control.

Any changes in your vehicle's suspension may result in transformed handleability. Please test-drive your vehicle in a remote location so you can become accustomed to the revised driving characteristics.

Perform headlight check and adjustment.

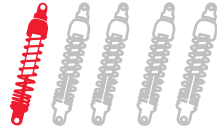
Failure to drive any modified vehicle in a safe manner may result in harm or death.

Never operate your modified vehicle under the influence of drugs, alcohol, or lack of adequate sleep.

Always wear your seatbelt.



DIFFICULTY:



INSTALLATION TIME: 30min - 1 Hours

RECOMMENDED TOOLS:

- Properly rated floor jack
- Support stands
- Metric wrench set
- Metric socket set
- Torque wrench rated up to 150 ft lbs.

JACKING, SUPPORTING, AND PREPARING THE VEHICLE

1. Park your vehicle on a smooth, level, concrete or seasoned asphalt surface.
2. Block the front wheels of the vehicle using wheel chocks. Make sure the vehicle's transmission is in "PARK" (automatic) or 1st gear (manual).
3. Activate the parking brake.
4. Break loose, but do not spin the wheel lug nuts to ease in removal when the wheels are in the air.
5. Lift the rear of the vehicle off the ground using a properly rated floor jack. Lift the vehicle so the front tires are approximately 6-8 inches off the ground.
6. Place support stands rated for the vehicles weight. The stands should be positioned in the factory specified locations. (Refer to the owners manual). Prior to lowering the vehicle onto stands, make sure the support stands will contact the chassis. It is very important that the vehicle is properly supported to prevent any harm to ones self or to the vehicle.
7. Lower the vehicle slowly onto the stands.
8. Remove the rear wheels.

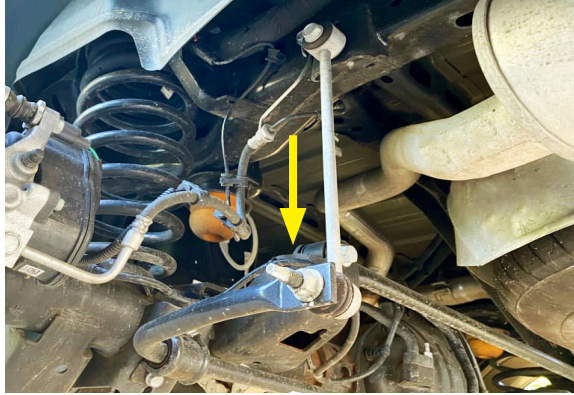


Technician reminder:

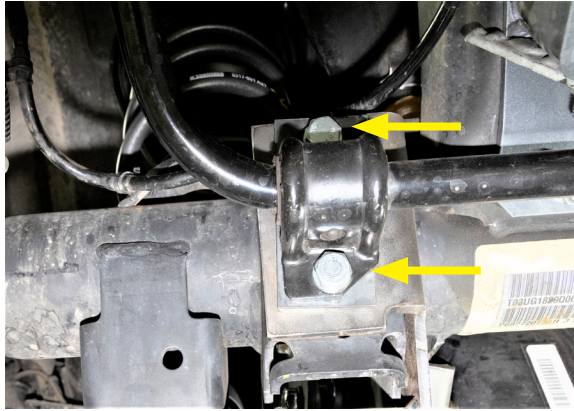
Never work under a vehicle supported only by a jack. It is necessary to place support stands securely under the vehicle in the manufacturer's specified locations unless otherwise instructed.

OEM ANTI-SWAY BAR REMOVAL

9. Detach the end links from the original sway bar using a 18mm wrench for the lower nut. Use a 8mm socket to hold and stop the ball joint stud from spinning. Leave the end links connected to the chassis for use with new Belltech sway bar.



10. Remove the bolts holding the original sway bar bushings in place using a 15mm wrench.



11. Pull the sway bar away and remove it from the vehicle.

BELLTECH ANTI-SWAY BAR INSTALLATION

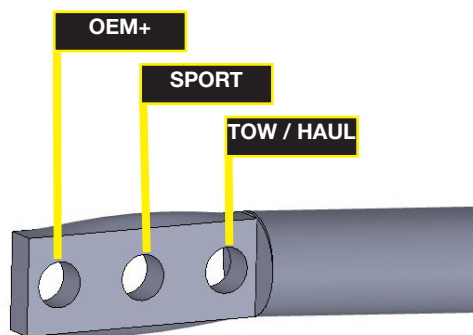
- Using the supplied grease pack, thoroughly lubricate the inside of the new polyurethane pivot bushings.
- Attach the bushings on both sides of the Belltech sway bar, close to the first set of bends. Set the bushings against the lateral rings on the sway bar. Once located, rotate the bushings slightly to evenly spread the lubricant.



- Fasten the sway bar assembly onto the axle using the supplied pivot bushing brackets and original 15mm bolts. Torque to 37 ft lbs. once the vehicle is back on the ground.



- Please choose a sway bar setting for your vehicle: OEM+, SPORT, or TOW/HAUL (OEM+ is softer and TOW/HAUL is firmer).



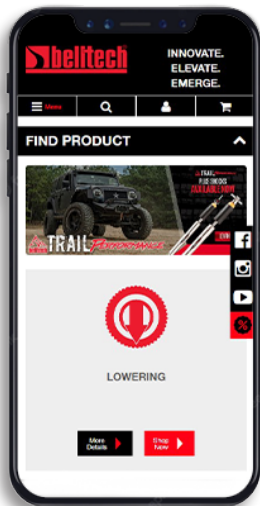
- Attach the end links onto the Belltech bar using the original 18mm nuts. Torque to 66 ft lbs. once the vehicle is back on the ground.

FINALIZING THE INSTALLATION

17. Re-install the wheels and tighten the lug nuts.
18. Lift the vehicle and remove the support stands.
19. Carefully lower the vehicle onto the flat ground.
20. Torque the lug nuts to 140 ft lbs.
21. Check that all components and fasteners have been properly installed and torqued.
22. Re-read and perform all tasks in the “Before Driving Your Vehicle” section of page 1 of your instructions.

THANK YOU FOR CHOOSING BELLTECH.

You are now a part of the Belltech family and we are eager to catch a glimpse of your newly modified vehicle. Give us a shout out and let us know how much you love our product. Don't forget, we offer other Belltech related merchandise for you and your vehicle on our website www.belltech.com



[belltechsuspension](https://www.facebook.com/belltechsuspension)



[Belltech Suspension](https://www.youtube.com/BelltechSuspension)



[@belltechsuspension](https://www.instagram.com/belltechsuspension)

If you have any questions, concerns, or warranty related issues regarding your Belltech product, please call or email our experienced customer service specialists.

Belltech Customer Support:

Phone: 1-800-445-3767

Email: info@belltech.com

KIT CONTENTS



Anti-Sway Bar Kit		
Part number	Description	Qty
5463-300	FRONT ANTI-SWAY BAR	1
5463-777	HARDWARE KIT	1

Hardware Kit (5463-777)		
Part number	Description	Qty
55000-10	GREASE PACK	1
114037	ZINC PLATED BUSHING BRACKET	2
113110	PIVOT BUSHING 1-3/8"	2